



Legende

- A Außendurchmesser
- B Innendurchmesser
- C Gesamtlänge
- D größter Außendurchmesser
- D1 Innendurchmesser (Nutmutter)
- E (Rund-) Gewinde (Rd)
- SW Schlüsselweite

Abmessungen

- DIN 11866-A (DIN 11850)
- DIN 11866-B (EN ISO 1127)
- DIN 11866-C (ASME BPE)

Normative Verweisungen, Anforderungen / Abnahmen (Vormaterial)

- DIN 11864
- DIN 405-1/-2
- BN2 (gültig für Bauteile in 1.4435)
- EN 10088-1/-3
- EN 10204
- EN 10222-5 (Rohlinge)
- EN 10254 (Rohlinge)
- EN 10272
- ASTM A276
- ASTM A182/A182M / ASME SA182/SA182M
- ASTM A479/A479M / ASME SA479/SA479M
- ASME SA336 (Rohlinge)
- AD 2000-W2

Kennzeichnung

Hersteller, Werkstoff, Abmessung, Schmelze, DIN 11864

Toleranzen (Bezugsnorm)

DIN 11864 / ISO 2768-1 / DIN 405-2

Verpackung

Schweißenden mit Kunststoffkappen verschlossen, einzeln verpackt.

Werkstoffe

- 1.4435 / 1.4404 (mediumberührt)
- 1.4301/07 (nicht mediumberührt)
- EPDM (Standard)

weitere Werkstoffe auf Anfrage

Oberflächenbeschaffenheit ("MB")

innen: feinstgedreht, Ra < 0.8 µm
 außen: feingedreht, Ra < 1.6 µm



Oberflächenqualitäten | surface qualities

Innenoberfläche internal surface finish	(Zusatz-) Artikel-Nr. (additional) order No
Ra < 0.6 µm (STERI-line®)	999279
Ra < 0.5 µm (STERI-line®)	999280
Ra < 0.4 µm (HQ-line®)	999281
Ra < 0.25 µm (HQ-line®)	999283



Zubehör ab Seite 75 | accessories from page 75 on

Key

- external diameter
- internal diameter
- total length
- biggest external diameter
- internal diameter (nut)
- (round) thread (Rd)
- width across flats (A/F)

Dimensions

- DIN 11866-A (DIN 11850)
- DIN 11866-B (EN ISO 1127)
- DIN 11866-C (ASME BPE)

Normative References, Requirements / Approvals (raw material)

- DIN 11864
- DIN 405-1/-2
- BN2 (valid for components in 1.4435)
- EN 10088-1/-3
- EN 10204
- EN 10222-5 (forgings)
- EN 10254 (forgings)
- EN 10272
- ASTM A276
- ASTM A182/A182M / ASME SA182/SA182M
- ASTM A479/A479M / ASME SA479/SA479M
- ASME SA336 (forgings)
- AD 2000-W2

Marking

manufacturer, material, dimension, heat, DIN 11864

Tolerances (reference standard)

DIN 11864 / ISO 2768-1 / DIN 405-2

Packaging

Welding ends covered with plastic caps, wrapped separately.

Materials

- 316L (at medium contact surface)
- 304 (not at medium contact surface)
- EPDM (standard)

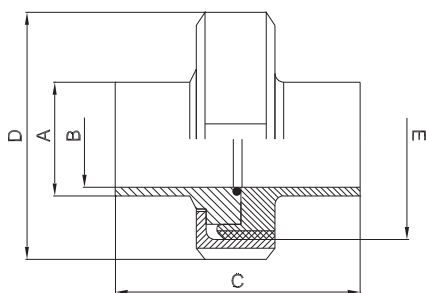
further materials on request

Surface condition ("MB")

inside: ultra-fine turned, Ra < 0.8 µm
 outside: refined turned, Ra < 1.6 µm

Bestellbeispiel | ordering example

Artikelbezeichnung + Ausführungen article description + variants	Artikel-Nr. order No
Steril-Verschraubung DN025 ISO (1.4435, EPDM) aseptic screwed pipe connection DIN 11864-1-A	707420
e-polier e-polished	
Ra < 0.25 µm	+ 999283



weitere Abmessungen auf Anfrage | further dimensions on request

DIN	Abmessung dimension	A	B	C	D	E (Rd)	MB 1.4435	e-pol. 1.4435	MB 1.4404	e-pol. 1.4404
DN010*	12.0 x 1.0	12.0	10.0	76.0	38.0	28 x 1/8"	708064	709977	XXX	XXX
DN010	13.0 x 1.5	13.0	10.0	76.0	38.0	28 x 1/8"	704277	709978	705156	709988
DN015	19.0 x 1.5	19.0	16.0	76.0	44.0	34 x 1/8"	704279	709979	705157	709989
DN020	23.0 x 1.5	23.0	20.0	76.0	54.0	44 x 1/8"	704281	709980	705158	709990
DN025	29.0 x 1.5	29.0	26.0	77.0	63.0	52 x 1/8"	704283	709981	705159	709991
DN032	35.0 x 1.5	35.0	32.0	88.0	70.0	58 x 1/8"	704285	709982	705160	709992
DN040	41.0 x 1.5	41.0	38.0	88.0	78.0	65 x 1/8"	704287	709983	705161	709993
DN050	53.0 x 1.5	53.0	50.0	89.0	92.0	78 x 1/8"	704289	709984	705162	709994
DN065	70.0 x 2.0	70.0	66.0	113.0	112.0	95 x 1/8"	704292	709985	705163	709995
DN080	85.0 x 2.0	85.0	81.0	117.0	127.0	110 x 1/4"	704293	709986	705164	709996
DN100	104.0 x 2.0	104.0	100.0	120.0	148.0	130 x 1/4"	704295	709987	705165	709997

ISO	Abmessung dimension	A	B	C	D	E (Rd)	MB 1.4435	e-pol. 1.4435	MB 1.4404	e-pol. 1.4404
DN008	13.5 x 1.6	13.5	10.3	76.0	38.0	28 x 1/8"	704635	707416	707342	707427
DN010	17.2 x 1.6	17.2	14.0	76.0	44.0	34 x 1/8"	704278	707417	707344	707428
DN015	21.3 x 1.6	21.3	18.1	78.0	54.0	44 x 1/8"	704280	707418	705166	707429
DN020	26.9 x 1.6	26.9	23.7	78.0	63.0	52 x 1/8"	704282	707419	705167	707430
DN025	33.7 x 2.0	33.7	29.7	88.0	70.0	58 x 1/8"	704284	707420	705168	707431
DN032	42.4 x 2.0	42.4	38.4	88.0	78.0	65 x 1/8"	704286	707421	705169	707432
DN040	48.3 x 2.0	48.3	44.3	90.0	92.0	78 x 1/8"	704288	707422	704920	707433
DN050	60.3 x 2.0	60.3	56.3	114.0	112.0	95 x 1/8"	704290	707423	705170	707434
DN065	76.1 x 2.0	76.1	72.1	117.0	127.0	110 x 1/4"	704276	707424	705171	707435
DN080	88.9 x 2.3	88.9	84.3	122.0	148.0	130 x 1/4"	704294	707425	705172	707436
DN100*	114.3 x 2.3	114.3	109.7	130.0	178.0	160 x 1/4"	704296	707426	705173	707437

ASME BPE	Abmessung dimension	A	B	C	D	E (Rd)	MB 1.4435	e-pol. 1.4435	MB 1.4404	e-pol. 1.4404
DN 1/2"	12.7 x 1.65	12.7	9.4	76.0	38.0	28 x 1/8"	704648	710002	709920	710010
DN 3/4"	19.05 x 1.65	19.05	15.75	76.0	44.0	34 x 1/8"	704649	710003	709921	710011
DN 1"	25.4 x 1.65	25.4	22.1	77.0	63.0	52 x 1/8"	704650	710004	705174	710012
DN 1 1/2"	38.1 x 1.65	38.1	34.8	88.0	78.0	65 x 1/8"	704651	710005	705175	710013
DN 2"	50.8 x 1.65	50.8	47.5	89.0	92.0	78 x 1/8"	704652	710006	705176	710014
DN 2 1/2"	63.5 x 1.65	63.5	60.2	115.0	112.0	95 x 1/8"	704653	710007	705177	710015
DN 3"	76.2 x 1.65	76.2	72.9	117.0	127.0	110 x 1/4"	704654	710008	705178	710016
DN 4"	101.6 x 2.11	101.6	97.38	119.0	148.0	130 x 1/4"	704655	710009	705179	710017

*) nicht in der DIN-Norm enthalten | non-standard

**Legende**

- A Außendurchmesser
- B Innendurchmesser
- C Gesamtlänge
- D größter Außendurchmesser
- D1 Innendurchmesser (Nutmutter)
- E (Rund-) Gewinde (Rd)
- SW Schlüsselweite

Abmessungen

- DIN 11866-A (DIN 11850)
- DIN 11866-B (EN ISO 1127)
- DIN 11866-C (ASME BPE)

Normative Verweisungen,**Anforderungen / Abnahmen (Vormaterial)**

- DIN 11853
- EN 10088-1/-3
- EN 10204
- EN 10222-5 (Rohlinge)
- EN 10254 (Rohlinge)
- EN 10272
- ASTM A276
- ASTM A182/A182M / ASME SA182/SA182M
- ASTM A479/A479M / ASME SA479/SA479M
- ASME SA336 (Rohlinge)
- AD 2000-W2

Kennzeichnung

- Hersteller, Werkstoff, Abmessung, Schmelze,
- DIN 11853

Toleranzen (Bezugsnorm)

- DIN 11853 / ISO 2768-1 / DIN 405-2

Verpackung

- Schweißenden mit Kunststoffkappen verschlossen,
- einzelnd verpackt.

Werkstoffe

- 1.4404 (mediumberührt)
- 1.4301/07 (nicht mediumberührt)
- EPDM (Standard)

weitere Werkstoffe auf Anfrage**Oberflächenbeschaffenheit ("MB")**

- innen: feinstgedreht, Ra < 0.8 µm
- außen: feingedreht, Ra < 1.6 µm

Key

- external diameter
- internal diameter
- total length
- biggest external diameter
- internal diameter (nut)
- (round) thread (Rd)
- width across flats (A/F)

Dimensions

- DIN 11866-A (DIN 11850)
- DIN 11866-B (EN ISO 1127)
- DIN 11866-C (ASME BPE)

Normative References,**Requirements / Approvals (raw material)**

- DIN 11853
- EN 10088-1/-3
- EN 10204
- EN 10222-5 (forgings)
- EN 10254 (forgings)
- EN 10272
- ASTM A276
- ASTM A182/A182M / ASME SA182/SA182M
- ASTM A479/A479M / ASME SA479/SA479M
- ASME SA336 (forgings)
- AD 2000-W2

Marking

- manufacturer, material, dimension, heat,
- DIN 11853

Tolerances (reference standard)

- DIN 11853 / ISO 2768-1 / DIN 405-2

Packaging

- Welding ends covered with plastic caps,
- wrapped separately.

Materials

- 316L (at medium contact surface)
- 304 (not at medium contact surface)
- EPDM (standard)

further materials on request**Surface condition ("MB")**

- inside: ultra-fine turned, Ra < 0.8 µm
- outside: refined turned, Ra < 1.6 µm

**Oberflächenqualitäten | surface qualities**

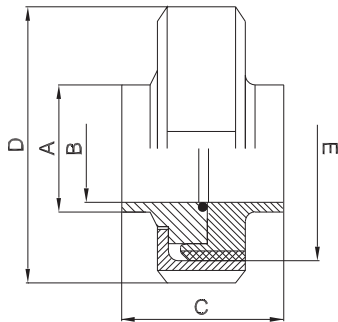
Innenoberfläche internal surface finish	(Zusatz-) Artikel-Nr. (additional) order No
e-poliert e-polished	999277
Ra < 0.6 µm (STERI-line®)	999279
Ra < 0.5 µm (STERI-line®)	999280
Ra < 0.4 µm (HQ-line®)	999281
Ra < 0.25 µm (HQ-line®)	999283

Bestellbeispiel | ordering example

Artikelbezeichnung + Ausführungen article description + variants	Artikel-Nr. order No
Hygiene-Verschraubung DN025 ISO (1.4404, EPDM) hygienic screwed pipe connection DIN 11853-1	706254
e-poliert e-polished	+ 999277
Ra < 0.25 µm	+ 999283



Zubehör ab Seite 75 | accessories from page 75 on



weitere Abmessungen auf Anfrage | further dimensions on request

DIN	Abmessung dimension	A	B	C	D	E (Rd)	MB 1.4404			
DN010	13.0 x 1.5	13.0	10.0	32.0	38.0	28 x 1/8"	705840			
DN015	19.0 x 1.5	19.0	16.0	32.0	44.0	34 x 1/8"	705841			
DN020	23.0 x 1.5	23.0	20.0	34.0	54.0	44 x 1/6"	705842			
DN025	29.0 x 1.5	29.0	26.0	42.0	63.0	52 x 1/6"	705843			
DN032	35.0 x 1.5	35.0	32.0	48.0	70.0	58 x 1/6"	705844			
DN040	41.0 x 1.5	41.0	38.0	50.0	78.0	65 x 1/6"	705845			
DN050	53.0 x 1.5	53.0	50.0	54.0	92.0	78 x 1/6"	705846			
DN065	70.0 x 2.0	70.0	66.0	62.0	112.0	95 x 1/6"	705847			
DN080	85.0 x 2.0	85.0	81.0	72.0	127.0	110 x 1/4"	705848			
DN100	104.0 x 2.0	104.0	100.0	86.0	148.0	130 x 1/4"	705849			

ISO	Abmessung dimension	A	B	C	D	E (Rd)	MB 1.4404			
DN008	13.5 x 1.6	13.5	10.3	32.0	38.0	28 x 1/8"	707343			
DN010	17.2 x 1.6	17.2	14.0	32.0	44.0	34 x 1/8"	707345			
DN015	21.3 x 1.6	21.3	18.1	34.0	54.0	44 x 1/6"	706252			
DN020	26.9 x 1.6	26.9	23.7	42.0	63.0	52 x 1/6"	706253			
DN025	33.7 x 2.0	33.7	29.7	48.0	70.0	58 x 1/6"	706254			
DN032	42.4 x 2.0	42.4	38.4	50.0	78.0	65 x 1/6"	706255			
DN040	48.3 x 2.0	48.3	44.3	54.0	92.0	78 x 1/6"	706256			
DN050	60.3 x 2.0	60.3	56.3	62.0	112.0	95 x 1/6"	706257			
DN065	76.1 x 2.0	76.1	72.1	72.0	127.0	110 x 1/4"	706258			
DN080	88.9 x 2.3	88.9	84.3	86.0	148.0	130 x 1/4"	706259			
DN100	114.3 x 2.3	114.3	109.7	86.0	178.0	160 x 1/4"	707448			

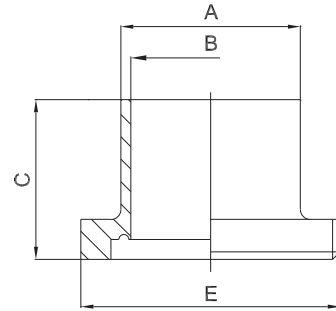
ASME BPE	Abmessung dimension	A	B	C	D	E (Rd)	MB 1.4404			
DN 1/2"	12.7 x 1.65	12.7	9.4	32.0	38.0	28 x 1/8"	709922			
DN 3/4"	19.05 x 1.65	19.05	15.75	32.0	44.0	34 x 1/8"	709923			
DN 1"	25.4 x 1.65	25.4	22.1	42.0	63.0	52 x 1/6"	706260			
DN 1 1/2"	38.1 x 1.65	38.1	34.8	50.0	78.0	65 x 1/6"	706261			
DN 2"	50.8 x 1.65	50.8	47.5	54.0	92.0	78 x 1/6"	706262			
DN 2 1/2"	63.5 x 1.65	63.5	60.2	62.0	112.0	95 x 1/6"	706263			
DN 3"	76.2 x 1.65	76.2	72.9	72.0	127.0	110 x 1/4"	706264			
DN 4"	101.6 x 2.11	101.6	97.38	86.0	148.0	130 x 1/4"	706265			

*) nicht in der DIN-Norm enthalten | non-standard



2.2.2 S Steril-Gewindestutzen DIN 11864-1-A

aseptic threaded connecting piece (male part)



zusätzliche Oberflächenqualitäten analog Seite | additional surface qualities analog page 14

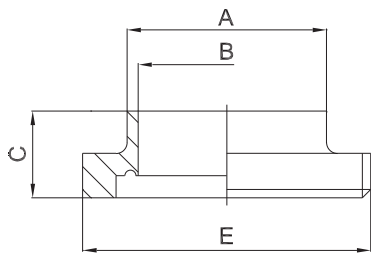
weitere Abmessungen auf Anfrage | further dimensions on request

DIN	Abmessung dimension	A	B	C	E (Rd)	MB 1.4435	e-pol. 1.4435	MB 1.4404	e-pol. 1.4404
DN010*	12.0 x 1.0	12.0	10.0	41.0	28 x 1/8"	704006	710068	XXX	XXX
DN010	13.0 x 1.5	13.0	10.0	41.0	28 x 1/8"	703280	709540	705142	710069
DN015	19.0 x 1.5	19.0	16.0	41.0	34 x 1/8"	703002	709541	705076	710070
DN020	23.0 x 1.5	23.0	20.0	43.0	44 x 1/8"	703260	709542	705141	710071
DN025	29.0 x 1.5	29.0	26.0	43.0	52 x 1/8"	703276	709543	704921	710072
DN032	35.0 x 1.5	35.0	32.0	48.0	58 x 1/8"	703277	709544	704046	710073
DN040	41.0 x 1.5	41.0	38.0	48.0	65 x 1/8"	703278	709545	704949	710074
DN050	53.0 x 1.5	53.0	50.0	48.0	78 x 1/8"	703279	709546	704963	710075
DN065	70.0 x 2.0	70.0	66.0	60.0	95 x 1/8"	703282	709547	704962	710076
DN080	85.0 x 2.0	85.0	81.0	64.0	110 x 1/4"	703283	709548	704961	710077
DN100	104.0 x 2.0	104.0	100.0	64.0	130 x 1/4"	703284	709549	705143	710078

ISO	Abmessung dimension	A	B	C	E (Rd)	MB 1.4435	e-pol. 1.4435	MB 1.4404	e-pol. 1.4404
DN008	13.5 x 1.6	13.5	10.3	41.0	28 x 1/8"	704642	707350	707323	707361
DN010	17.2 x 1.6	17.2	14.0	41.0	34 x 1/8"	704641	707351	707324	707362
DN015	21.3 x 1.6	21.3	18.1	43.0	44 x 1/8"	703281	707352	705046	707363
DN020	26.9 x 1.6	26.9	23.7	43.0	52 x 1/8"	703285	707353	705491	707364
DN025	33.7 x 2.0	33.7	29.7	48.0	58 x 1/8"	703286	707354	705144	707365
DN032	42.4 x 2.0	42.4	38.4	48.0	65 x 1/8"	703287	707355	705145	707366
DN040	48.3 x 2.0	48.3	44.3	49.0	78 x 1/8"	703288	707356	704985	707367
DN050	60.3 x 2.0	60.3	56.3	60.0	95 x 1/8"	703289	707357	705146	707368
DN065	76.1 x 2.0	76.1	72.1	64.0	110 x 1/4"	703290	707358	705147	707369
DN080	88.9 x 2.3	88.9	84.3	64.0	130 x 1/4"	703291	707359	705148	707370
DN100*	114.3 x 2.3	114.3	109.7	68.0	160 x 1/4"	700039	707360	705149	707371

ASME BPE	Abmessung dimension	A	B	C	E (Rd)	MB 1.4435	e-pol. 1.4435	MB 1.4404	e-pol. 1.4404
DN 1/2"	12.7 x 1.65	12.7	9.4	41.0	28 x 1/8"	704640	710079	709907	710087
DN 3/4"	19.05 x 1.65	19.05	15.75	41.0	34 x 1/8"	704639	710080	709908	710088
DN 1"	25.4 x 1.65	25.4	22.1	43.0	52 x 1/8"	703292	710081	705150	710089
DN 1 1/2"	38.1 x 1.65	38.1	34.8	48.5	65 x 1/8"	703269	710082	705151	710090
DN 2"	50.8 x 1.65	50.8	47.5	48.5	78 x 1/8"	703293	710083	705152	710091
DN 2 1/2"	63.5 x 1.65	63.5	60.2	60.0	95 x 1/8"	703294	710084	705153	710092
DN 3"	76.2 x 1.65	76.2	72.9	64.0	110 x 1/4"	703295	710085	705154	710093
DN 4"	101.6 x 2.11	101.6	97.38	64.0	130 x 1/4"	703296	710086	705155	710094

*) nicht in der DIN-Norm enthalten | non-standard



zusätzliche Oberflächenqualitäten analog Seite | additional surface qualities analog page 16

weitere Abmessungen auf Anfrage | further dimensions on request

DIN	Abmessung dimension	A	B	C	E (Rd)	MB 1.4404
DN010	13.0 x 1.5	13.0	10.0	19.0	28 x 1/8"	706275
DN015	19.0 x 1.5	19.0	16.0	19.0	34 x 1/8"	704092
DN020	23.0 x 1.5	23.0	20.0	21.0	44 x 1/8"	704095
DN025	29.0 x 1.5	29.0	26.0	26.0	52 x 1/8"	704048
DN032	35.0 x 1.5	35.0	32.0	30.0	58 x 1/8"	704974
DN040	41.0 x 1.5	41.0	38.0	31.0	65 x 1/8"	704950
DN050	53.0 x 1.5	53.0	50.0	31.0	78 x 1/8"	705631
DN065	70.0 x 2.0	70.0	66.0	36.0	95 x 1/8"	705632
DN080	85.0 x 2.0	85.0	81.0	42.0	110 x 1/4"	706276
DN100	104.0 x 2.0	104.0	100.0	50.0	130 x 1/4"	706277

ISO	Abmessung dimension	A	B	C	E (Rd)	MB 1.4404
DN008	13.5 x 1.6	13.5	10.3	19.0	28 x 1/8"	707325
DN010	17.2 x 1.6	17.2	14.0	19.0	34 x 1/8"	707326
DN015	21.3 x 1.6	21.3	18.1	21.0	44 x 1/8"	704966
DN020	26.9 x 1.6	26.9	23.7	26.0	52 x 1/8"	704945
DN025	33.7 x 2.0	33.7	29.7	30.0	58 x 1/8"	705621
DN032	42.4 x 2.0	42.4	38.4	31.0	65 x 1/8"	705606
DN040	48.3 x 2.0	48.3	44.3	31.0	78 x 1/8"	706278
DN050	60.3 x 2.0	60.3	56.3	36.0	95 x 1/8"	705607
DN065	76.1 x 2.0	76.1	72.1	42.0	110 x 1/4"	706279
DN080	88.9 x 2.3	88.9	84.3	50.0	130 x 1/4"	706280
DN100*	114.3 x 2.3	114.3	109.7	50.0	160 x 1/4"	707327

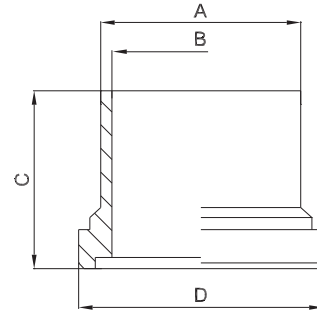
ASME BPE	Abmessung dimension	A	B	C	E (Rd)	MB 1.4404
DN 1/2"	12.7 x 1.65	12.7	9.4	19.0	28 x 1/8"	709911
DN 3/4"	19.05 x 1.65	19.05	15.75	19.0	34 x 1/8"	709912
DN 1"	25.4 x 1.65	25.4	22.1	26.0	52 x 1/8"	706281
DN 1 1/2"	38.1 x 1.65	38.1	34.8	31.0	65 x 1/8"	706282
DN 2"	50.8 x 1.65	50.8	47.5	31.0	78 x 1/8"	706283
DN 2 1/2"	63.5 x 1.65	63.5	60.2	36.0	95 x 1/8"	706284
DN 3"	76.2 x 1.65	76.2	72.9	42.0	110 x 1/4"	706285
DN 4"	101.6 x 2.11	101.6	97.38	50.0	130 x 1/4"	706286

*) nicht in der DIN-Norm enthalten | non-standard



2.2.3 S Steril-Bundstutzen DIN 11864-1-A

aseptic liner



zusätzliche Oberflächenqualitäten analog Seite | additional surface qualities analog page 14

weitere Abmessungen auf Anfrage | further dimensions on request

DIN	Abmessung dimension	A	B	C	D		MB 1.4435	e-pol. 1.4435	MB 1.4404	e-pol. 1.4404
DN010*	12.0 x 1.0	12.0	10.0	39.0	21.9		706780	710018	XXX	XXX
DN010	13.0 x 1.5	13.0	10.0	39.0	21.9		703250	705695	705123	710019
DN015	19.0 x 1.5	19.0	16.0	39.0	27.9		703251	709550	705602	710020
DN020	23.0 x 1.5	23.0	20.0	38.0	35.9		703252	709551	704045	710021
DN025	29.0 x 1.5	29.0	26.0	40.0	42.9		703253	709552	704978	710022
DN032	35.0 x 1.5	35.0	32.0	47.0	48.9		703254	709553	705124	710023
DN040	41.0 x 1.5	41.0	38.0	47.0	54.9		703255	709554	705086	710024
DN050	53.0 x 1.5	53.0	50.0	48.0	66.9		703256	709555	705125	710025
DN065	70.0 x 2.0	70.0	66.0	61.0	84.9		703257	709556	704975	710026
DN080	85.0 x 2.0	85.0	81.0	61.0	98.9		703258	709557	705126	710027
DN100	104.0 x 2.0	104.0	100.0	66.0	118.9		703258	709558	705025	710028

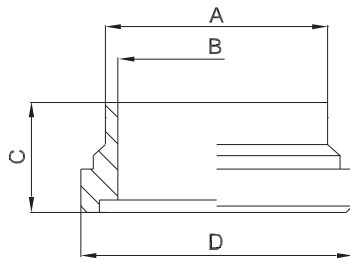
ISO	Abmessung dimension	A	B	C	D		MB 1.4435	e-pol. 1.4435	MB 1.4404	e-pol. 1.4404
DN008	13.5 x 1.6	13.5	10.3	39.0	21.9		704645	707383	707328	707394
DN010	17.2 x 1.6	17.2	14.0	39.0	27.9		704646	707384	707329	707395
DN015	21.3 x 1.6	21.3	18.1	40.0	35.9		703261	707385	705028	707396
DN020	26.9 x 1.6	26.9	23.7	41.0	42.9		703262	707386	705128	707397
DN025	33.7 x 2.0	33.7	29.7	47.0	48.9		703263	707387	705129	707398
DN032	42.4 x 2.0	42.4	38.4	47.0	54.9		703264	707388	705130	707399
DN040	48.3 x 2.0	48.3	44.3	48.0	66.9		703265	707389	705036	707400
DN050	60.3 x 2.0	60.3	56.3	62.0	84.9		703266	707390	705131	707401
DN065	76.1 x 2.0	76.1	72.1	61.0	98.9		703267	707391	705132	707402
DN080	88.9 x 2.3	88.9	84.3	68.0	118.9		703268	707392	705133	707403
DN100*	114.3 x 2.3	114.3	109.7	72.0	147.9		704647	707393	707330	707404

ASME BPE	Abmessung dimension	A	B	C	D		MB 1.4435	e-pol. 1.4435	MB 1.4404	e-pol. 1.4404
DN 1/2"	12.7 x 1.65	12.7	9.4	39.0	21.9		704644	710029	709909	710037
DN 3/4"	19.05 x 1.65	19.05	15.75	39.0	27.9		704643	710030	709910	710038
DN 1"	25.4 x 1.65	25.4	22.1	40.0	42.9		703270	710031	705135	710039
DN 1 1/2"	38.1 x 1.65	38.1	34.8	46.5	54.9		703271	710032	705136	710040
DN 2"	50.8 x 1.65	50.8	47.5	47.5	66.9		703272	710033	705137	710041
DN 2 1/2"	63.5 x 1.65	63.5	60.2	63.0	84.9		703273	710034	705138	710042
DN 3"	76.2 x 1.65	76.2	72.9	61.0	98.9		703274	710035	705139	710043
DN 4"	101.6 x 2.11	101.6	97.38	65.0	118.9		703275	710036	705140	710044

*) nicht in der DIN-Norm enthalten | non-standard



hygienic liner



zusätzliche Oberflächenqualitäten analog Seite | additional surface qualities analog page 16

weitere Abmessungen auf Anfrage | further dimensions on request

DIN	Abmessung dimension	A	B	C	D	MB 1.4404			
DN010	13.0 x 1.5	13.0	10.0	17.0	21.9	704234			
DN015	19.0 x 1.5	19.0	16.0	17.0	27.9	704037			
DN020	23.0 x 1.5	23.0	20.0	18.0	35.9	704089			
DN025	29.0 x 1.5	29.0	26.0	22.0	42.9	704233			
DN032	35.0 x 1.5	35.0	32.0	25.0	48.9	704047			
DN040	41.0 x 1.5	41.0	38.0	26.0	54.9	704793			
DN050	53.0 x 1.5	53.0	50.0	30.0	66.9	705633			
DN065	70.0 x 2.0	70.0	66.0	34.0	84.9	705634			
DN080	85.0 x 2.0	85.0	81.0	38.0	98.9	706287			
DN100	104.0 x 2.0	104.0	100.0	46.0	118.9	706288			

ISO	Abmessung dimension	A	B	C	D	MB 1.4404			
DN008	13.5 x 1.6	13.5	10.3	17.0	21.9	707331			
DN010	17.2 x 1.6	17.2	14.0	17.0	27.9	707332			
DN015	21.3 x 1.6	21.3	18.1	18.0	35.9	705608			
DN020	26.9 x 1.6	26.9	23.7	22.0	42.9	706036			
DN025	33.7 x 2.0	33.7	29.7	25.0	48.9	705609			
DN032	42.4 x 2.0	42.4	38.4	26.0	54.9	705610			
DN040	48.3 x 2.0	48.3	44.3	30.0	66.9	705611			
DN050	60.3 x 2.0	60.3	56.3	34.0	84.9	705027			
DN065	76.1 x 2.0	76.1	72.1	38.0	98.9	706289			
DN080	88.9 x 2.3	88.9	84.3	46.0	118.9	706290			
DN100*	114.3 x 2.3	114.3	109.7	46.0	147.9	707333			

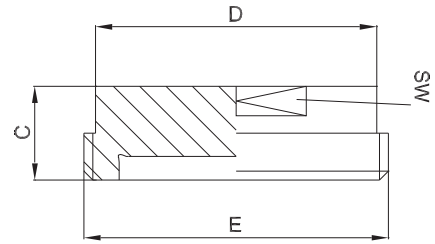
ASME BPE	Abmessung dimension	A	B	C	D	MB 1.4404			
DN 1/2"	12.7 x 1.65	12.7	9.4	17.0	21.9	709913			
DN 3/4"	19.05 x 1.65	19.05	15.75	17.0	27.9	709914			
DN 1"	25.4 x 1.65	25.4	22.1	22.0	42.9	706291			
DN 1 1/2"	38.1 x 1.65	38.1	34.8	26.0	54.9	706292			
DN 2"	50.8 x 1.65	50.8	47.5	30.0	66.9	706293			
DN 2 1/2"	63.5 x 1.65	63.5	60.2	34.0	84.9	706294			
DN 3"	76.2 x 1.65	76.2	72.9	38.0	98.9	706295			
DN 4"	101.6 x 2.11	101.6	97.38	46.0	118.9	706296			

*) nicht in der DIN-Norm enthalten | non-standard



2.2.4 Blindgewindestutzen DIN 11864-1-A/DIN 11853-1

blind threaded connecting piece (male part)



zusätzliche Oberflächenqualitäten analog Seite | additional surface qualities analog page 16

weitere Abmessungen auf Anfrage | further dimensions on request

DIN	Abmessung dimension	C	D	E (Rd)	SW	MB 1.4435	MB 1.4404		
DN010	13.0 x 1.5	24.0	23.0	28 x 1/8"	19.0	703403	705122		
DN015	19.0 x 1.5	24.0	28.0	34 x 1/8"	24.0	703404	705186		
DN020	23.0 x 1.5	24.0	34.0	44 x 1/6"	30.0	703405	705187		
DN025	29.0 x 1.5	24.0	44.0	52 x 1/6"	41.0	703406	705188		
DN032	35.0 x 1.5	24.0	53.0	58 x 1/6"	46.0	703407	705189		
DN040	41.0 x 1.5	24.0	60.0	65 x 1/6"	50.0	703408	705190		
DN050	53.0 x 1.5	24.0	72.0	78 x 1/6"	65.0	703409	705191		
DN065	70.0 x 2.0	28.0	87.0	95 x 1/6"	80.0	703410	705192		
DN080	85.0 x 2.0	28.0	100.0	110 x 1/4"	95.0	703411	705193		
DN100	104.0 x 2.0	30.0	120.0	130 x 1/4"	115.0	703412	705194		

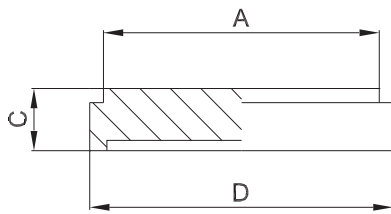
ISO	Abmessung dimension	C	D	E (Rd)	SW	MB 1.4435	MB 1.4404		
DN008	13.5 x 1.6	24.0	23.0	28 x 1/8"	19.0	704717	709915		
DN010	17.2 x 1.6	24.0	28.0	34 x 1/8"	24.0	704716	709916		
DN015	21.3 x 1.6	24.0	34.0	44 x 1/6"	30.0	704718	705195		
DN020	26.9 x 1.6	24.0	44.0	52 x 1/6"	41.0	704719	705196		
DN025	33.7 x 2.0	24.0	53.0	58 x 1/6"	46.0	704720	705197		
DN032	42.4 x 2.0	24.0	60.0	65 x 1/6"	50.0	704721	705198		
DN040	48.3 x 2.0	24.0	72.0	78 x 1/6"	65.0	704722	705199		
DN050	60.3 x 2.0	28.0	87.0	95 x 1/6"	80.0	704723	705200		
DN065	76.1 x 2.0	28.0	100.0	110 x 1/4"	95.0	704724	705201		
DN080	88.9 x 2.3	30.0	120.0	130 x 1/4"	115.0	704725	705202		
DN100	114.3 x 2.3	38.0	150.0	160 x 1/4"	145.0	704726	705203		

ASME BPE	Abmessung dimension	C	D	E (Rd)	SW	MB 1.4435	MB 1.4404		
DN 1/2"	12.7 x 1.65	24.0	23.0	28 x 1/8"	19.0	704727	709917		
DN 3/4"	19.05 x 1.65	24.0	28.0	34 x 1/8"	24.0	704728	709918		
DN 1"	25.4 x 1.65	24.0	44.0	52 x 1/6"	41.0	704729	705180		
DN 1 1/2"	38.1 x 1.65	24.0	60.0	65 x 1/6"	50.0	704730	705181		
DN 2"	50.8 x 1.65	24.0	72.0	78 x 1/6"	65.0	704731	705182		
DN 2 1/2"	63.5 x 1.65	28.0	87.0	95 x 1/6"	80.0	704732	705183		
DN 3"	76.2 x 1.65	28.0	100.0	110 x 1/4"	95.0	704733	705184		
DN 4"	101.6 x 2.11	30.0	120.0	130 x 1/4"	115.0	704734	705185		



2.2.5 Blindbundstutzen DIN 11864-1-A/DIN 11853-1

blind liner



zusätzliche Oberflächenqualitäten analog Seite | additional surface qualities analog page 16

weitere Abmessungen auf Anfrage | further dimensions on request

DIN	Abmessung dimension	A	C	D			MB 1.4435	MB 1.4404		
DN010	13.0 x 1.5	18.0	9.0	21.9			703413	705110		
DN015	19.0 x 1.5	24.0	9.0	27.9			703414	705109		
DN020	23.0 x 1.5	30.0	10.0	35.9			703415	705108		
DN025	29.0 x 1.5	35.0	12.0	42.9			703416	705021		
DN032	35.0 x 1.5	41.0	13.0	48.9			703417	705107		
DN040	41.0 x 1.5	48.0	13.0	54.9			703418	705023		
DN050	53.0 x 1.5	61.0	14.0	66.9			703419	705059		
DN065	70.0 x 2.0	79.0	16.0	84.9			703420	704965		
DN080	85.0 x 2.0	93.0	16.0	98.9			703421	704964		
DN100	104.0 x 2.0	114.0	20.0	118.9			703422	705024		

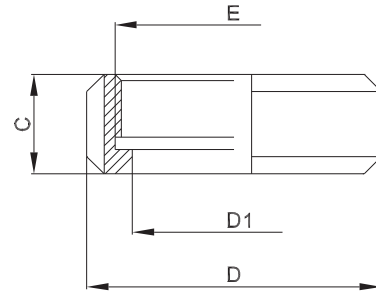
ISO	Abmessung dimension	A	C	D			MB 1.4435	MB 1.4404		
DN008	13.5 x 1.6	18.0	9.0	21.9			704700	709842		
DN010	17.2 x 1.6	24.0	9.0	27.9			704701	709843		
DN015	21.3 x 1.6	30.0	10.0	35.9			704594	705029		
DN020	26.9 x 1.6	35.0	12.0	42.9			704702	705111		
DN025	33.7 x 2.0	41.0	13.0	48.9			704534	704967		
DN032	42.4 x 2.0	48.0	13.0	54.9			704703	705112		
DN040	48.3 x 2.0	61.0	14.0	66.9			704704	705022		
DN050	60.3 x 2.0	79.0	16.0	84.9			704548	704992		
DN065	76.1 x 2.0	93.0	16.0	98.9			704705	705113		
DN080	88.9 x 2.3	114.0	20.0	118.9			704706	705114		
DN100	114.3 x 2.3	137.0	22.0	147.9			704707	709919		

ASME BPE	Abmessung dimension	A	C	D			MB 1.4435	MB 1.4404		
DN 1/2"	12.7 x 1.65	18.0	9.0	21.9			704708	709844		
DN 3/4"	19.05 x 1.65	24.0	9.0	27.9			704709	709845		
DN 1"	25.4 x 1.65	35.0	12.0	42.9			704710	705116		
DN 1 1/2"	38.1 x 1.65	48.0	13.0	54.9			704711	705117		
DN 2"	50.8 x 1.65	61.0	14.0	66.9			704712	705118		
DN 2 1/2"	63.5 x 1.65	79.0	16.0	84.9			704713	705119		
DN 3"	76.2 x 1.65	93.0	16.0	98.9			704714	705120		
DN 4"	101.6 x 2.11	114.0	20.0	118.9			704715	705121		



2.2.6 Nutmutter mit Freistich (DIN 11851-F)

nut with thread undercut



DIN	Abmessung dimension	C	D	D1	E (Rd)	1.4301/07 304	1.4404 316L		
DN010	13.0 x 1.5	18.0	38.0	19.0	28 x 1/8"	708892	701474		
DN015	19.0 x 1.5	18.0	44.0	25.0	34 x 1/8"	708667	701475		
DN020	23.0 x 1.5	20.0	54.0	31.0	44 x 1/6"	708881	701476		
DN025	29.0 x 1.5	21.0	63.0	36.0	52 x 1/6"	708300	701477		
DN032	35.0 x 1.5	21.0	70.0	42.0	58 x 1/6"	708668	701478		
DN040	41.0 x 1.5	21.0	78.0	49.0	65 x 1/6"	708787	701479		
DN050	53.0 x 1.5	22.0	92.0	62.0	78 x 1/6"	708656	701480		
DN065	70.0 x 2.0	25.0	112.0	80.0	95 x 1/6"	708882	701481		
DN080	85.0 x 2.0	29.0	127.0	94.0	110 x 1/4"	708883	701482		
DN100	104.0 x 2.0	31.0	148.0	115.0	130 x 1/4"	703495	701483		

ISO	Abmessung dimension	C	D	D1	E (Rd)	1.4301/07 304	1.4404 316L		
DN008	13.5 x 1.6	18.0	38.0	19.0	28 x 1/8"	708892	701474		
DN010	17.2 x 1.6	18.0	44.0	25.0	34 x 1/8"	708667	701475		
DN015	21.3 x 1.6	20.0	54.0	31.0	44 x 1/6"	708881	701476		
DN020	26.9 x 1.6	21.0	63.0	36.0	52 x 1/6"	708300	701477		
DN025	33.7 x 2.0	21.0	70.0	42.0	58 x 1/6"	708668	701478		
DN032	42.4 x 2.0	21.0	78.0	49.0	65 x 1/6"	708787	701479		
DN040	48.3 x 2.0	22.0	92.0	62.0	78 x 1/6"	708656	701480		
DN050	60.3 x 2.0	25.0	112.0	80.0	95 x 1/6"	708882	701481		
DN065	76.1 x 2.0	29.0	127.0	94.0	110 x 1/4"	708883	701482		
DN080	88.9 x 2.3	31.0	148.0	115.0	130 x 1/4"	703495	701483		
DN100	114.3 x 2.3	35.0	178.0	138.0	160 x 1/4"	702977	701484		

ASME BPE	Abmessung dimension	C	D	D1	E (Rd)	1.4301/07 304	1.4404 316L		
DN 1/2"	12.7 x 1.65	18.0	38.0	19.0	28 x 1/8"	708892	701474		
DN 3/4"	19.05 x 1.65	18.0	44.0	25.0	34 x 1/8"	708667	701475		
DN 1"	25.4 x 1.65	21.0	63.0	36.0	52 x 1/6"	708300	701477		
DN 1 1/2"	38.1 x 1.65	21.0	78.0	49.0	65 x 1/6"	708787	701479		
DN 2"	50.8 x 1.65	22.0	92.0	62.0	78 x 1/6"	708656	701480		
DN 2 1/2"	63.5 x 1.65	25.0	112.0	80.0	95 x 1/6"	708882	701481		
DN 3"	76.2 x 1.65	29.0	127.0	94.0	110 x 1/4"	708883	701482		
DN 4"	101.6 x 2.11	31.0	148.0	115.0	130 x 1/4"	703495	701483		