

**Legende**

- A Außendurchmesser
- B Innendurchmesser
- C Gesamtlänge
- D Flansch-Außendurchmesser
- LK Lochkreis

**Abmessungen**

DIN 11866-A (DIN 11850)  
 DIN 11866-B (EN ISO 1127)  
 auf Anfrage: DIN 11866-C (ASME BPE)

**Normative Verweisungen,**

**Anforderungen / Abnahmen (Vormaterial)**

BN2  
 EN 10088-1/-3  
 EN 10204  
 EN 10222-5 (Rohlinge)  
 EN 10254 (Rohlinge)  
 EN 10272  
 ASTM A276  
 ASTM A182/A182M / ASME SA182/SA182M  
 ASTM A479/A479M / ASME SA479/SA479M  
 ASME SA336 (Rohlinge)  
 AD 2000-W2

**Kennzeichnung**

Hersteller, Werkstoff, Abmessung, Schmelze,  
 STERI-Connect®

**Toleranzen (Bezugsnorm)**

ISO 2768-1

**Verpackung**

Schweißenden mit Kunststoffkappen verschlossen,  
 einzeln verpackt.

**Werkstoffe**

1.4435 (mediumberührt)  
 1.4301/07 (nicht mediumberührt)  
 EPDM (Standard)

**weitere Werkstoffe auf Anfrage**

**Oberflächenbeschaffenheit ("MB")**

innen: feinstgedreht, Ra < 0.8 µm  
 außen: feingedreht, Ra < 1.6 µm

**Key**

- external diameter
- internal diameter
- total length
- outer flange diameter
- bolt circle

**Dimensions**

DIN 11866-A (DIN 11850)  
 DIN 11866-B (EN ISO 1127)  
 on request: DIN 11866-C (ASME BPE)

**Normative References,**

**Requirements / Approvals (raw material)**

BN2  
 EN 10088-1/-3  
 EN 10204  
 EN 10222-5 (forgings)  
 EN 10254 (forgings)  
 EN 10272  
 ASTM A276  
 ASTM A182/A182M / ASME SA182/SA182M  
 ASTM A479/A479M / ASME SA479/SA479M  
 ASME SA336 (forgings)  
 AD 2000-W2

**Marking**

manufacturer, material, dimension, heat,  
 STERI-Connect®

**Tolerances (reference standard)**

ISO 2768-1

**Packaging**

Welding ends covered with plastic caps,  
 wrapped separately.

**Materials**

316L (at medium contact surface)  
 304 (not at medium contact surface)  
 EPDM (standard)

**further materials on request**

**Surface condition ("MB")**

inside: ultra-fine turned, Ra < 0.8 µm  
 outside: refined turned, Ra < 1.6 µm



**Oberflächenqualitäten | surface qualities**

Innenoberfläche internal surface finish	(Zusatz-) Artikel-Nr. (additional) order No
e-polier   e-polished	999277
Ra < 0.6 µm (STERI-line®)	999279
Ra < 0.5 µm (STERI-line®)	999280
Ra < 0.4 µm (HQ-line®)	999281
Ra < 0.25 µm (HQ-line®)	999283

**Bestellbeispiel | ordering example**

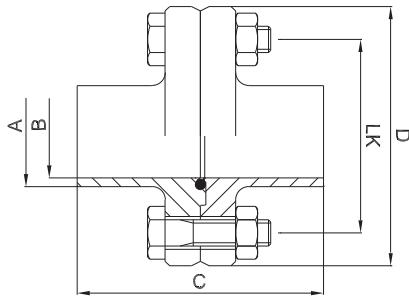
Artikelbezeichnung + Ausführungen article description + variants	Artikel-Nr. order No
Steril-Flanschverbindung DN025 ISO (1.4435, EPDM) aseptic flange connection STERI-Connect®	700448
e-polier   e-polished	+ 999277
Ra < 0.25 µm	+ 999283



Zubehör ab Seite 73 | accessories from page 73 on



### 2.3.1 Steril-Flanschverbindung STERI-Connect®



weitere Abmessungen auf Anfrage | further dimensions on request

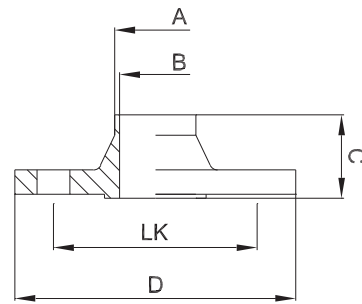
DIN	Abmessung dimension	A	B	C	D	LK	MB 1.4435			
DN008	10.0 x 1.0	10.0	8.0	88.0	60.0	40.0	705214			
DN010	12.0 x 1.0	12.0	10.0	88.0	65.0	45.0	700439			
DN010	13.0 x 1.5	13.0	10.0	88.0	65.0	45.0	709784			
DN015	19.0 x 1.5	19.0	16.0	88.0	75.0	55.0	700443			
DN020	23.0 x 1.5	23.0	20.0	92.0	80.0	60.0	700445			
DN025	29.0 x 1.5	29.0	26.0	102.0	85.0	65.0	700447			
DN032	35.0 x 1.5	35.0	32.0	102.0	95.0	75.0	700449			
DN040	41.0 x 1.5	41.0	38.0	102.0	100.0	80.0	700451			
DN050	53.0 x 1.5	53.0	50.0	106.0	110.0	90.0	700453			
DN065	70.0 x 2.0	70.0	66.0	130.0	140.0	115.0	700456			
DN080	85.0 x 2.0	85.0	81.0	130.0	150.0	125.0	700459			
DN100	104.0 x 2.0	104.0	100.0	134.0	175.0	150.0	700441			

ISO	Abmessung dimension	A	B	C	D	LK	MB 1.4435			
DN008	13.5 x 1.6	13.5	10.3	88.0	60.0	40.0	700458			
DN010	17.2 x 1.6	17.2	14.0	88.0	65.0	45.0	700440			
DN015	21.3 x 1.6	21.3	18.1	88.0	75.0	55.0	700444			
DN020	26.9 x 1.6	26.9	23.7	92.0	80.0	60.0	700446			
DN025	33.7 x 2.0	33.7	29.7	102.0	85.0	65.0	700448			
DN032	42.4 x 2.0	42.4	38.4	102.0	95.0	75.0	700450			
DN040	48.3 x 2.0	48.3	44.3	102.0	100.0	80.0	700452			
DN050	60.3 x 2.0	60.3	56.3	106.0	110.0	90.0	700454			
DN065	76.1 x 2.0	76.1	72.1	130.0	140.0	115.0	700457			
DN080	88.9 x 2.3	88.9	84.3	130.0	150.0	125.0	700460			
DN100	114.3 x 2.3	114.3	109.7	134.0	175.0	150.0	700442			



## 2.3.2 Steril-Flansch -VS- STERI-Connect®

## aseptic flange -VS-



zusätzliche Oberflächenqualitäten analog Seite | additional surface qualities analog page 25

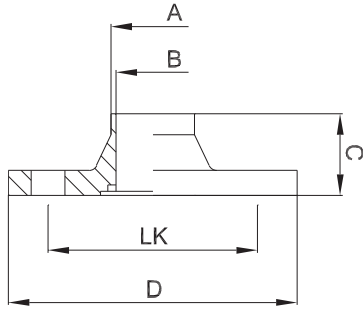
weitere Abmessungen auf Anfrage | further dimensions on request

DIN	Abmessung dimension	A	B	C	D	LK	MB 1.4435			
DN008	10.0 x 1.0	10.0	8.0	45.0	60.0	40.0	704205			
DN010	12.0 x 1.0	12.0	10.0	45.0	65.0	45.0	700417			
DN010	13.0 x 1.5	13.0	10.0	45.0	65.0	45.0	709175			
DN015	19.0 x 1.5	19.0	16.0	45.0	75.0	55.0	700421			
DN020	23.0 x 1.5	23.0	20.0	47.0	80.0	60.0	700423			
DN025	29.0 x 1.5	29.0	26.0	52.0	85.0	65.0	700425			
DN032	35.0 x 1.5	35.0	32.0	52.0	95.0	75.0	700427			
DN040	41.0 x 1.5	41.0	38.0	52.0	100.0	80.0	700429			
DN050	53.0 x 1.5	53.0	50.0	54.0	110.0	90.0	703007			
DN065	70.0 x 2.0	70.0	66.0	66.0	140.0	115.0	700434			
DN080	85.0 x 2.0	85.0	81.0	66.0	150.0	125.0	700437			
DN100	104.0 x 2.0	104.0	100.0	68.0	175.0	150.0	700419			

ISO	Abmessung dimension	A	B	C	D	LK	MB 1.4435			
DN008	13.5 x 1.6	13.5	10.3	45.0	60.0	40.0	700436			
DN010	17.2 x 1.6	17.2	14.0	45.0	65.0	45.0	700418			
DN015	21.3 x 1.6	21.3	18.1	45.0	75.0	55.0	700422			
DN020	26.9 x 1.6	26.9	23.7	47.0	80.0	60.0	700424			
DN025	33.7 x 2.0	33.7	29.7	52.0	85.0	65.0	700426			
DN032	42.4 x 2.0	42.4	38.4	52.0	95.0	75.0	700428			
DN040	48.3 x 2.0	48.3	44.3	52.0	100.0	80.0	700430			
DN050	60.3 x 2.0	60.3	56.3	54.0	110.0	90.0	700432			
DN065	76.1 x 2.0	76.1	72.1	66.0	140.0	115.0	700435			
DN080	88.9 x 2.3	88.9	84.3	66.0	150.0	125.0	700438			
DN100	114.3 x 2.3	114.3	109.7	68.0	175.0	150.0	700420			



aseptic flange -RS-



weitere Abmessungen auf Anfrage | further dimensions on request

zusätzliche Oberflächenqualitäten analog Seite | additional surface qualities analog page 25

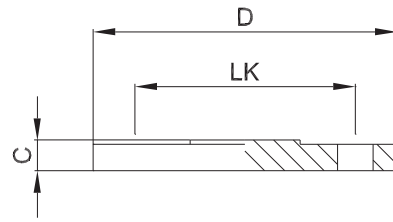
DIN	Abmessung dimension	A	B	C	D	LK	MB 1.4435			
DN008	10.0 x 1.0	10.0	8.0	45.0	60.0	40.0	704054			
DN010	12.0 x 1.0	12.0	10.0	45.0	65.0	45.0	700395			
DN010	13.0 x 1.5	13.0	10.0	45.0	65.0	45.0	708615			
DN015	19.0 x 1.5	19.0	16.0	45.0	75.0	55.0	700399			
DN020	23.0 x 1.5	23.0	20.0	47.0	80.0	60.0	700401			
DN025	29.0 x 1.5	29.0	26.0	52.0	85.0	65.0	700403			
DN032	35.0 x 1.5	35.0	32.0	52.0	95.0	75.0	700405			
DN040	41.0 x 1.5	41.0	38.0	52.0	100.0	80.0	700407			
DN050	53.0 x 1.5	53.0	50.0	54.0	110.0	90.0	700409			
DN065	70.0 x 2.0	70.0	66.0	66.0	140.0	115.0	700412			
DN080	85.0 x 2.0	85.0	81.0	66.0	150.0	125.0	700415			
DN100	104.0 x 2.0	104.0	100.0	68.0	175.0	150.0	700397			

ISO	Abmessung dimension	A	B	C	D	LK	MB 1.4435			
DN008	13.5 x 1.6	13.5	10.3	45.0	60.0	40.0	700414			
DN010	17.2 x 1.6	17.2	14.0	45.0	65.0	45.0	700396			
DN015	21.3 x 1.6	21.3	18.1	45.0	75.0	55.0	700400			
DN020	26.9 x 1.6	26.9	23.7	47.0	80.0	60.0	700402			
DN025	33.7 x 2.0	33.7	29.7	52.0	85.0	65.0	700404			
DN032	42.4 x 2.0	42.4	38.4	52.0	95.0	75.0	700406			
DN040	48.3 x 2.0	48.3	44.3	52.0	100.0	80.0	700408			
DN050	60.3 x 2.0	60.3	56.3	54.0	110.0	90.0	700410			
DN065	76.1 x 2.0	76.1	72.1	66.0	140.0	115.0	700413			
DN080	88.9 x 2.3	88.9	84.3	66.0	150.0	125.0	700416			
DN100	114.3 x 2.3	114.3	109.7	68.0	175.0	150.0	700398			



### 2.3.4 Steril-Blindflansch -VS- STERI-Connect®

aseptic blind flange -VS-

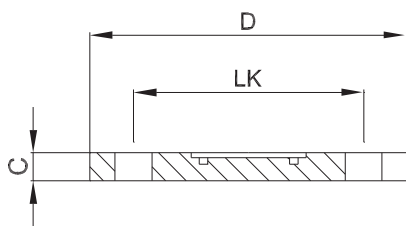


zusätzliche Oberflächenqualitäten analog Seite | additional surface qualities analog page 25

weitere Abmessungen auf Anfrage | further dimensions on request

DIN	Abmessung dimension	C	D	LK			MB 1.4435			
DN008	10.0 x 1.0	10.0	60.0	40.0			700393			
DN010	12.0 x 1.0	10.0	65.0	45.0			700383			
DN010	13.0 x 1.5	10.0	65.0	45.0			709838			
DN015	19.0 x 1.5	10.0	75.0	55.0			700385			
DN020	23.0 x 1.5	12.0	80.0	60.0			700386			
DN025	29.0 x 1.5	12.0	85.0	65.0			700387			
DN032	35.0 x 1.5	12.0	95.0	75.0			700388			
DN040	41.0 x 1.5	12.0	100.0	80.0			700389			
DN050	53.0 x 1.5	14.0	110.0	90.0			700390			
DN065	70.0 x 2.0	16.0	140.0	115.0			700392			
DN080	85.0 x 2.0	16.0	150.0	125.0			700394			
DN100	104.0 x 2.0	18.0	175.0	150.0			700384			

ISO	Abmessung dimension	C	D	LK			MB 1.4435			
DN008	13.5 x 1.6	10.0	60.0	40.0			705244			
DN010	17.2 x 1.6	10.0	65.0	45.0			705245			
DN015	21.3 x 1.6	10.0	75.0	55.0			705246			
DN020	26.9 x 1.6	12.0	80.0	60.0			705247			
DN025	33.7 x 2.0	12.0	85.0	65.0			704204			
DN032	42.4 x 2.0	12.0	95.0	75.0			704609			
DN040	48.3 x 2.0	12.0	100.0	80.0			705248			
DN050	60.3 x 2.0	14.0	110.0	90.0			705249			
DN065	76.1 x 2.0	16.0	140.0	115.0			705250			
DN080	88.9 x 2.3	16.0	150.0	125.0			705251			
DN100	114.3 x 2.3	18.0	175.0	150.0			705252			



weitere Abmessungen auf Anfrage | further dimensions on request

zusätzliche Oberflächenqualitäten analog Seite | additional surface qualities analog page 25

DIN	Abmessung dimension	C	D	LK			MB 1.4435			
DN008	10.0 x 1.0	10.0	60.0	40.0			700381			
DN010	12.0 x 1.0	10.0	65.0	45.0			700371			
DN010	13.0 x 1.5	10.0	65.0	45.0			709839			
DN015	19.0 x 1.5	10.0	75.0	55.0			700373			
DN020	23.0 x 1.5	12.0	80.0	60.0			700374			
DN025	29.0 x 1.5	12.0	85.0	65.0			700375			
DN032	35.0 x 1.5	12.0	95.0	75.0			700376			
DN040	41.0 x 1.5	12.0	100.0	80.0			700377			
DN050	53.0 x 1.5	14.0	110.0	90.0			700378			
DN065	70.0 x 2.0	16.0	140.0	115.0			700380			
DN080	85.0 x 2.0	16.0	150.0	125.0			700382			
DN100	104.0 x 2.0	18.0	175.0	150.0			700372			

ISO	Abmessung dimension	C	D	LK			MB 1.4435			
DN008	13.5 x 1.6	10.0	60.0	40.0			703464			
DN010	17.2 x 1.6	10.0	65.0	45.0			703465			
DN015	21.3 x 1.6	10.0	75.0	55.0			703466			
DN020	26.9 x 1.6	12.0	80.0	60.0			703467			
DN025	33.7 x 2.0	12.0	85.0	65.0			702564			
DN032	42.4 x 2.0	12.0	95.0	75.0			703468			
DN040	48.3 x 2.0	12.0	100.0	80.0			703469			
DN050	60.3 x 2.0	14.0	110.0	90.0			703470			
DN065	76.1 x 2.0	16.0	140.0	115.0			703471			
DN080	88.9 x 2.3	16.0	150.0	125.0			703472			
DN100	114.3 x 2.3	18.0	175.0	150.0			702563			