



Legende

- A Außendurchmesser
- B Innendurchmesser
- C Gesamtlänge
- D Flansch-Außendurchmesser
- LK Lochkreis

Abmessungen

- DIN 11866-A (DIN 11850)
- DIN 11866-B (EN ISO 1127)
- DIN 11866-C (ASME BPE)

Normative Verweisungen,

Anforderungen / Abnahmen (Vormaterial)

- DIN 11864
- BN2 (gültig für Bauteile in 1.4435)
- EN 10088-1/-3
- EN 10204
- EN 10222-5 (Rohlinge)
- EN 10254 (Rohlinge)
- EN 10272
- ASTM A276
- ASTM A182/A182M / ASME SA182/SA182M
- ASTM A479/A479M / ASME SA479/SA479M
- ASME SA336 (Rohlinge)
- AD 2000-W2

Kennzeichnung

Hersteller, Werkstoff, Abmessung, Schmelze, DIN 11864

Toleranzen (Bezugsnorm)

DIN 11864 / ISO 2768-1

Verpackung

Schweißenden mit Kunststoffkappen verschlossen, einzeln verpackt.

Werkstoffe

- 1.4435 / 1.4404 (mediumberührt)
- 1.4301/07 (nicht mediumberührt)
- EPDM (Standard)

weitere Werkstoffe auf Anfrage

Oberflächenbeschaffenheit ("MB")

innen: feinstgedreht, Ra < 0.8 µm
außen: feingedreht, Ra < 1.6 µm

Key

- external diameter
- internal diameter
- total length
- outer flange diameter
- bolt circle

Dimensions

- DIN 11866-A (DIN 11850)
- DIN 11866-B (EN ISO 1127)
- DIN 11866-C (ASME BPE)

Normative References,

Requirements / Approvals (raw material)

- DIN 11864
- BN2 (valid for components in 1.4435)
- EN 10088-1/-3
- EN 10204
- EN 10222-5 (forgings)
- EN 10254 (forgings)
- EN 10272
- ASTM A276
- ASTM A182/A182M / ASME SA182/SA182M
- ASTM A479/A479M / ASME SA479/SA479M
- ASME SA336 (forgings)
- AD 2000-W2

Marking

manufacturer, material, dimension, heat, DIN 11864

Tolerances (reference standard)

DIN 11864 / ISO 2768-1

Packaging

Welding ends covered with plastic caps, wrapped separately.

Materials

- 316L (at medium contact surface)
- 304 (not at medium contact surface)
- EPDM (standard)

further materials on request

Surface condition ("MB")

inside: ultra-fine turned, Ra < 0.8 µm
outside: refined turned, Ra < 1.6 µm



Oberflächenqualitäten | surface qualities

| Innenoberfläche internal surface finish | (Zusatz-) Artikel-Nr. (additional) order No |
|--|--|
| Ra < 0.6 µm (STERI-line®) | 999279 |
| Ra < 0.5 µm (STERI-line®) | 999280 |
| Ra < 0.4 µm (HQ-line®) | 999281 |
| Ra < 0.25 µm (HQ-line®) | 999283 |

Bestellbeispiel | ordering example

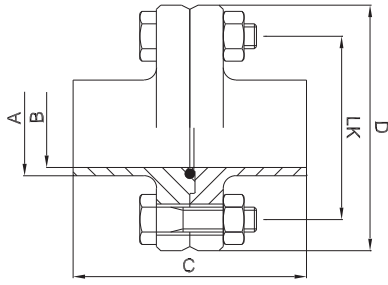
| Artikelbezeichnung + Ausführungen article description + variants | Artikel-Nr. order No |
|--|-------------------------|
| Steril-Flanschverbindung DN025 ISO (1.4435, EPDM) aseptic flange connection DIN 11864-2-A | 707520 |
| e-poliert e-polished | |
| Ra < 0.25 µm | + 999283 |



Zubehör ab Seite 75 | accessories from page 75 on



2.4.1 S Steril-Flanschverbindung DIN 11864-2-A



weitere Abmessungen auf Anfrage | further dimensions on request

| DIN | Abmessung dimension | A | B | C | D | LK | MB 1.4435 | e-pol. 1.4435 | MB 1.4404 | e-pol. 1.4404 |
|--------|---------------------|-------|-------|-------|-------|-------|-----------|---------------|-----------|---------------|
| DN010 | 13.0 x 1.5 | 13.0 | 10.0 | 80.0 | 54.0 | 37.0 | 703321 | 710102 | 705253 | 710121 |
| DN015 | 19.0 x 1.5 | 19.0 | 16.0 | 80.0 | 59.0 | 42.0 | 703323 | 710103 | 705084 | 710122 |
| DN020 | 23.0 x 1.5 | 23.0 | 20.0 | 80.0 | 64.0 | 47.0 | 703324 | 710104 | 705255 | 710123 |
| DN025 | 29.0 x 1.5 | 29.0 | 26.0 | 80.0 | 70.0 | 53.0 | 703325 | 710105 | 703140 | 710124 |
| DN032 | 35.0 x 1.5 | 35.0 | 32.0 | 90.0 | 76.0 | 59.0 | 703326 | 710106 | 705256 | 710125 |
| DN040 | 41.0 x 1.5 | 41.0 | 38.0 | 90.0 | 82.0 | 65.0 | 703327 | 710107 | 703141 | 710126 |
| DN050 | 53.0 x 1.5 | 53.0 | 50.0 | 90.0 | 94.0 | 77.0 | 703328 | 709069 | 704619 | 710127 |
| DN065 | 70.0 x 2.0 | 70.0 | 66.0 | 108.0 | 113.0 | 95.0 | 703329 | 710108 | 705257 | 710128 |
| DN080 | 85.0 x 2.0 | 85.0 | 81.0 | 116.0 | 133.0 | 112.0 | 703330 | 710109 | 704549 | 710129 |
| DN100 | 104.0 x 2.0 | 104.0 | 100.0 | 116.0 | 159.0 | 137.0 | 703331 | 710110 | 705258 | 710130 |
| DN125 | 129.0 x 2.0 | 129.0 | 125.0 | 120.0 | 183.0 | 161.0 | 703332 | 710111 | 704603 | 710131 |
| DN150 | 154.0 x 2.0 | 154.0 | 150.0 | 120.0 | 213.0 | 188.0 | 703333 | 710112 | 704604 | 710132 |
| DN200* | 204.0 x 2.0 | 204.0 | 200.0 | 118.5 | 340.0 | 295.0 | 710099 | 710113 | 710116 | 710133 |
| DN250* | 254.0 x 2.0 | 254.0 | 250.0 | 134.5 | 405.0 | 355.0 | 710100 | 710114 | 710117 | 710134 |
| DN300* | 304.0 x 2.0 | 304.0 | 300.0 | 150.5 | 460.0 | 410.0 | 710101 | 710115 | 710118 | 710135 |

| ISO | Abmessung dimension | A | B | C | D | LK | MB 1.4435 | e-pol. 1.4435 | MB 1.4404 | e-pol. 1.4404 |
|--------|---------------------|-------|-------|-------|-------|-------|-----------|---------------|-----------|---------------|
| DN008 | 13.5 x 1.6 | 13.5 | 10.3 | 80.0 | 54.0 | 37.0 | 703886 | 707516 | 707346 | 707527 |
| DN010 | 17.2 x 1.6 | 17.2 | 14.0 | 80.0 | 59.0 | 42.0 | 704098 | 707517 | 707348 | 707528 |
| DN015 | 21.3 x 1.6 | 21.3 | 18.1 | 80.0 | 62.0 | 45.0 | 703334 | 707518 | 705259 | 707529 |
| DN020 | 26.9 x 1.6 | 26.9 | 23.7 | 80.0 | 69.0 | 52.0 | 703335 | 707519 | 705260 | 707530 |
| DN025 | 33.7 x 2.0 | 33.7 | 29.7 | 90.0 | 74.0 | 57.0 | 703336 | 707520 | 705261 | 707531 |
| DN032 | 42.4 x 2.0 | 42.4 | 38.4 | 90.0 | 82.0 | 65.0 | 703337 | 707521 | 705262 | 707532 |
| DN040 | 48.3 x 2.0 | 48.3 | 44.3 | 90.0 | 88.0 | 71.0 | 703338 | 707522 | 705263 | 707533 |
| DN050 | 60.3 x 2.0 | 60.3 | 56.3 | 108.0 | 103.0 | 85.0 | 703339 | 707523 | 705264 | 707534 |
| DN065 | 76.1 x 2.0 | 76.1 | 72.1 | 112.0 | 125.0 | 104.0 | 703340 | 707524 | 705265 | 707535 |
| DN080 | 88.9 x 2.3 | 88.9 | 84.3 | 120.0 | 137.0 | 116.0 | 703341 | 707525 | 705266 | 707536 |
| DN100 | 114.3 x 2.3 | 114.3 | 109.7 | 120.0 | 168.0 | 146.0 | 703342 | 707526 | 705267 | 707537 |
| DN125* | 139.7 x 2.6 | 139.7 | 134.5 | 104.5 | 250.0 | 210.0 | 708810 | 710143 | 710148 | 710152 |
| DN150* | 168.3 x 2.6 | 168.3 | 163.1 | 104.5 | 285.0 | 240.0 | 710139 | 710144 | 709149 | 710153 |
| DN200* | 219.1 x 2.6 | 219.1 | 213.9 | 118.5 | 340.0 | 295.0 | 710140 | 710145 | 710149 | 710154 |
| DN250* | 273.0 x 3.0 | 273.0 | 267.0 | 132.5 | 405.0 | 355.0 | 710141 | 710146 | 710150 | 710155 |
| DN300* | 323.9 x 3.0 | 323.9 | 317.9 | 148.5 | 460.0 | 410.0 | 710142 | 710147 | 710151 | 710156 |

| ASME BPE | Abmessung dimension | A | B | C | D | LK | MB 1.4435 | e-pol. 1.4435 | MB 1.4404 | e-pol. 1.4404 |
|-----------|---------------------|-------|-------|-------|-------|-------|-----------|---------------|-----------|---------------|
| DN 1/2" | 12.7 x 1.65 | 12.7 | 9.4 | 80.0 | 54.0 | 37.0 | 704637 | 710157 | 709774 | 710165 |
| DN 3/4" | 19.05 x 1.65 | 19.05 | 15.75 | 80.0 | 59.0 | 42.0 | 704636 | 710158 | 709775 | 710166 |
| DN 1" | 25.4 x 1.65 | 25.4 | 22.1 | 80.0 | 66.0 | 49.0 | 703343 | 710159 | 705268 | 710167 |
| DN 1 1/2" | 38.1 x 1.65 | 38.1 | 34.8 | 90.0 | 79.0 | 62.0 | 703344 | 710160 | 705269 | 710168 |
| DN 2" | 50.8 x 1.65 | 50.8 | 47.5 | 90.0 | 92.0 | 75.0 | 703345 | 710161 | 705270 | 710169 |
| DN 2 1/2" | 63.5 x 1.65 | 63.5 | 60.2 | 108.0 | 107.0 | 89.0 | 703346 | 710162 | 705271 | 710170 |
| DN 3" | 76.2 x 1.65 | 76.2 | 72.9 | 112.0 | 125.0 | 104.0 | 703347 | 710163 | 705272 | 710171 |
| DN 4" | 101.6 x 2.11 | 101.6 | 97.38 | 116.0 | 157.0 | 135.0 | 703348 | 710164 | 705273 | 710172 |

*) nicht in der DIN-Norm enthalten | non-standard

Legende

- A Außendurchmesser
- B Innendurchmesser
- C Gesamtlänge
- D Flansch-Außendurchmesser
- LK Lochkreis

Abmessungen

- DIN 11866-A (DIN 11850)
- DIN 11866-B (EN ISO 1127)
- DIN 11866-C (ASME BPE)

Normative Verweisungen, Anforderungen / Abnahmen (Vormaterial)

- DIN 11853
- EN 10088-1/-3
- EN 10204
- EN 10222-5 (Rohlinge)
- EN 10254 (Rohlinge)
- EN 10272
- ASTM A276
- ASTM A182/A182M / ASME SA182/SA182M
- ASTM A479/A479M / ASME SA479/SA479M
- ASME SA336 (Rohlinge)
- AD 2000-W2

Kennzeichnung

Hersteller, Werkstoff, Abmessung, Schmelze, DIN 11853

Toleranzen (Bezugsnorm)

DIN 11853 / ISO 2768-1

Verpackung

Schweißenden mit Kunststoffkappen verschlossen, einzeln verpackt.

Werkstoffe

- 1.4404 (mediumberührt)
- 1.4301/07 (nicht mediumberührt)
- EPDM (Standard)

weitere Werkstoffe auf Anfrage

Oberflächenbeschaffenheit ("MB")

innen: feinstgedreht, Ra < 0.8 µm
 außen: feingedreht, Ra < 1.6 µm

Key

- external diameter
- internal diameter
- total length
- outer flange diameter
- bolt circle

Dimensions

- DIN 11866-A (DIN 11850)
- DIN 11866-B (EN ISO 1127)
- DIN 11866-C (ASME BPE)

Normative References, Requirements / Approvals (raw material)

- DIN 11853
- EN 10088-1/-3
- EN 10204
- EN 10222-5 (forgings)
- EN 10254 (forgings)
- EN 10272
- ASTM A276
- ASTM A182/A182M / ASME SA182/SA182M
- ASTM A479/A479M / ASME SA479/SA479M
- ASME SA336 (forgings)
- AD 2000-W2

Marking

manufacturer, material, dimension, heat, DIN 11853

Tolerances (reference standard)

DIN 11853 / ISO 2768-1

Packaging

Welding ends covered with plastic caps, wrapped separately.

Materials

- 316L (at medium contact surface)
- 304 (not at medium contact surface)
- EPDM (standard)

further materials on request

Surface condition ("MB")

inside: ultra-fine turned, Ra < 0.8 µm
 outside: refined turned, Ra < 1.6 µm



Oberflächenqualitäten | surface qualities

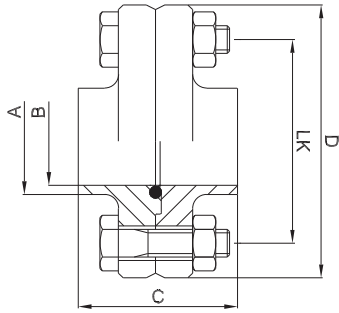
| Innenoberfläche internal surface finish | (Zusatz-) Artikel-Nr. (additional) order No |
|--|--|
| e-poliert e-polished | 999277 |
| Ra < 0.6 µm (STERI-line®) | 999279 |
| Ra < 0.5 µm (STERI-line®) | 999280 |
| Ra < 0.4 µm (HQ-line®) | 999281 |
| Ra < 0.25 µm (HQ-line®) | 999283 |

Bestellbeispiel | ordering example

| Artikelbezeichnung + Ausführungen article description + variants | Artikel-Nr. order No |
|--|-------------------------|
| Hygiene-Flanschverbindung DN025 ISO DIN 11853-2 hygienic flange connection (1.4404, EPDM) | 706190 |
| e-poliert e-polished | + 999277 |
| Ra < 0.25 µm | + 999283 |



Zubehör ab Seite 75 | accessories from page 75 on



weitere Abmessungen auf Anfrage | further dimensions on request

| DIN | Abmessung dimension | A | B | C | D | LK | MB 1.4404 | | | |
|-------|---------------------|-------|-------|------|-------|-------|-----------|--|--|--|
| DN010 | 13.0 x 1.5 | 13.0 | 10.0 | 48.0 | 54.0 | 37.0 | 706177 | | | |
| DN015 | 19.0 x 1.5 | 19.0 | 16.0 | 48.0 | 59.0 | 42.0 | 705254 | | | |
| DN020 | 23.0 x 1.5 | 23.0 | 20.0 | 48.0 | 64.0 | 47.0 | 706178 | | | |
| DN025 | 29.0 x 1.5 | 29.0 | 26.0 | 48.0 | 70.0 | 53.0 | 706179 | | | |
| DN032 | 35.0 x 1.5 | 35.0 | 32.0 | 48.0 | 76.0 | 59.0 | 706180 | | | |
| DN040 | 41.0 x 1.5 | 41.0 | 38.0 | 48.0 | 82.0 | 65.0 | 706181 | | | |
| DN050 | 53.0 x 1.5 | 53.0 | 50.0 | 48.0 | 94.0 | 77.0 | 706182 | | | |
| DN065 | 70.0 x 2.0 | 70.0 | 66.0 | 48.0 | 113.0 | 95.0 | 706183 | | | |
| DN080 | 85.0 x 2.0 | 85.0 | 81.0 | 52.0 | 133.0 | 112.0 | 706184 | | | |
| DN100 | 104.0 x 2.0 | 104.0 | 100.0 | 52.0 | 159.0 | 137.0 | 706185 | | | |
| DN125 | 129.0 x 2.0 | 129.0 | 125.0 | 56.0 | 183.0 | 161.0 | 706186 | | | |
| DN150 | 154.0 x 2.0 | 154.0 | 150.0 | 56.0 | 213.0 | 188.0 | 706187 | | | |

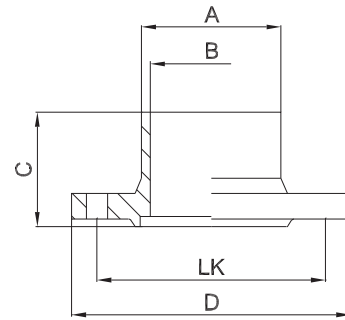
| ISO | Abmessung dimension | A | B | C | D | LK | MB 1.4404 | | | |
|-------|---------------------|-------|-------|------|-------|-------|-----------|--|--|--|
| DN008 | 13.5 x 1.6 | 13.5 | 10.3 | 48.0 | 54.0 | 37.0 | 707347 | | | |
| DN010 | 17.2 x 1.6 | 17.2 | 14.0 | 48.0 | 59.0 | 42.0 | 707349 | | | |
| DN015 | 21.3 x 1.6 | 21.3 | 18.1 | 48.0 | 62.0 | 45.0 | 706188 | | | |
| DN020 | 26.9 x 1.6 | 26.9 | 23.7 | 48.0 | 69.0 | 52.0 | 706189 | | | |
| DN025 | 33.7 x 2.0 | 33.7 | 29.7 | 48.0 | 74.0 | 57.0 | 706190 | | | |
| DN032 | 42.4 x 2.0 | 42.4 | 38.4 | 48.0 | 82.0 | 65.0 | 705079 | | | |
| DN040 | 48.3 x 2.0 | 48.3 | 44.3 | 48.0 | 88.0 | 71.0 | 706191 | | | |
| DN050 | 60.3 x 2.0 | 60.3 | 56.3 | 48.0 | 103.0 | 85.0 | 705636 | | | |
| DN065 | 76.1 x 2.0 | 76.1 | 72.1 | 48.0 | 125.0 | 104.0 | 706192 | | | |
| DN080 | 88.9 x 2.3 | 88.9 | 84.3 | 52.0 | 137.0 | 116.0 | 706193 | | | |
| DN100 | 114.3 x 2.3 | 114.3 | 109.7 | 52.0 | 168.0 | 146.0 | 706194 | | | |

| ASME BPE | Abmessung dimension | A | B | C | D | LK | MB 1.4404 | | | |
|-----------|---------------------|-------|-------|------|-------|-------|-----------|--|--|--|
| DN 1/2" | 12.7 x 1.65 | 12.7 | 9.4 | 48.0 | 54.0 | 37.0 | 709848 | | | |
| DN 3/4" | 19.05 x 1.65 | 19.05 | 15.75 | 48.0 | 59.0 | 42.0 | 709849 | | | |
| DN 1" | 25.4 x 1.65 | 25.4 | 22.1 | 48.0 | 66.0 | 49.0 | 706195 | | | |
| DN 1 1/2" | 38.1 x 1.65 | 38.1 | 34.8 | 48.0 | 79.0 | 62.0 | 706196 | | | |
| DN 2" | 50.8 x 1.65 | 50.8 | 47.5 | 48.0 | 92.0 | 75.0 | 706197 | | | |
| DN 2 1/2" | 63.5 x 1.65 | 63.5 | 60.2 | 48.0 | 107.0 | 89.0 | 706198 | | | |
| DN 3" | 76.2 x 1.65 | 76.2 | 72.9 | 48.0 | 125.0 | 104.0 | 706199 | | | |
| DN 4" | 101.6 x 2.11 | 101.6 | 97.38 | 52.0 | 157.0 | 135.0 | 706200 | | | |



2.4.2 S Steril-Nutflansch DIN 11864-2-A

aseptic flange with groove



zusätzliche Oberflächenqualitäten analog Seite | additional surface qualities analog page 31

weitere Abmessungen auf Anfrage | further dimensions on request

| DIN | Abmessung dimension | A | B | C | D | LK | MB 1.4435 | e-pol. 1.4435 | MB 1.4404 | e-pol. 1.4404 |
|--------|---------------------|-------|-------|------|-------|-------|-----------|---------------|-----------|---------------|
| DN010 | 13.0 x 1.5 | 13.0 | 10.0 | 41.5 | 54.0 | 37.0 | 703376 | 709601 | 704948 | 708847 |
| DN015 | 19.0 x 1.5 | 19.0 | 16.0 | 41.5 | 59.0 | 42.0 | 703377 | 709602 | 705085 | 708848 |
| DN020 | 23.0 x 1.5 | 23.0 | 20.0 | 41.5 | 64.0 | 47.0 | 703378 | 709603 | 705291 | 708849 |
| DN025 | 29.0 x 1.5 | 29.0 | 26.0 | 41.5 | 70.0 | 53.0 | 703379 | 709604 | 705033 | 708850 |
| DN032 | 35.0 x 1.5 | 35.0 | 32.0 | 46.5 | 76.0 | 59.0 | 703380 | 709605 | 705292 | 708851 |
| DN040 | 41.0 x 1.5 | 41.0 | 38.0 | 46.5 | 82.0 | 65.0 | 703381 | 709606 | 705293 | 708852 |
| DN050 | 53.0 x 1.5 | 53.0 | 50.0 | 46.5 | 94.0 | 77.0 | 703382 | 709607 | 705058 | 708853 |
| DN065 | 70.0 x 2.0 | 70.0 | 66.0 | 55.5 | 113.0 | 95.0 | 703383 | 709608 | 705294 | 708854 |
| DN080 | 85.0 x 2.0 | 85.0 | 81.0 | 59.5 | 133.0 | 112.0 | 703384 | 709609 | 703960 | 708855 |
| DN100 | 104.0 x 2.0 | 104.0 | 100.0 | 59.5 | 159.0 | 137.0 | 703385 | 709610 | 703584 | 708856 |
| DN125 | 129.0 x 2.0 | 129.0 | 125.0 | 61.5 | 183.0 | 161.0 | 703386 | 710176 | 705627 | 710181 |
| DN150 | 154.0 x 2.0 | 154.0 | 150.0 | 61.5 | 213.0 | 188.0 | 706201 | 710177 | 703387 | 710182 |
| DN200* | 204.0 x 2.0 | 204.0 | 200.0 | 60.0 | 340.0 | 295.0 | 710173 | 710178 | 707942 | 710183 |
| DN250* | 254.0 x 2.0 | 254.0 | 250.0 | 68.0 | 405.0 | 355.0 | 710174 | 710179 | 707943 | 710184 |
| DN300* | 304.0 x 2.0 | 254.0 | 250.0 | 76.0 | 460.0 | 410.0 | 710175 | 710180 | 707944 | 710185 |

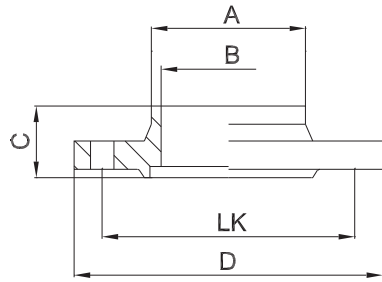
| ISO | Abmessung dimension | A | B | C | D | LK | MB 1.4435 | e-pol. 1.4435 | MB 1.4404 | e-pol. 1.4404 |
|--------|---------------------|-------|-------|------|-------|-------|-----------|---------------|-----------|---------------|
| DN008 | 13.5 x 1.6 | 13.5 | 10.3 | 41.5 | 54.0 | 37.0 | 704297 | 707483 | 707334 | 707494 |
| DN010 | 17.2 x 1.6 | 17.2 | 14.0 | 41.5 | 59.0 | 42.0 | 704662 | 707484 | 707335 | 707495 |
| DN015 | 21.3 x 1.6 | 21.3 | 18.1 | 41.5 | 62.0 | 45.0 | 703388 | 707485 | 705301 | 707496 |
| DN020 | 26.9 x 1.6 | 26.9 | 23.7 | 41.5 | 69.0 | 52.0 | 703389 | 707486 | 704976 | 707497 |
| DN025 | 33.7 x 2.0 | 33.7 | 29.7 | 46.5 | 74.0 | 57.0 | 703390 | 707487 | 705302 | 707498 |
| DN032 | 42.4 x 2.0 | 42.4 | 38.4 | 46.5 | 82.0 | 65.0 | 703391 | 707488 | 705303 | 707499 |
| DN040 | 48.3 x 2.0 | 48.3 | 44.3 | 46.5 | 88.0 | 71.0 | 703392 | 707489 | 704947 | 707500 |
| DN050 | 60.3 x 2.0 | 60.3 | 56.3 | 55.5 | 103.0 | 85.0 | 703393 | 707490 | 705304 | 707501 |
| DN065 | 76.1 x 2.0 | 76.1 | 72.1 | 57.5 | 125.0 | 104.0 | 703394 | 707491 | 705305 | 707502 |
| DN080 | 88.9 x 2.3 | 88.9 | 84.3 | 59.5 | 137.0 | 116.0 | 703395 | 707492 | 705306 | 707503 |
| DN100 | 114.3 x 2.3 | 114.3 | 109.7 | 59.5 | 168.0 | 146.0 | 703396 | 707493 | 705307 | 707504 |
| DN125* | 139.7 x 2.6 | 139.7 | 134.5 | 53.0 | 250.0 | 210.0 | 708799 | 710189 | 707941 | 710194 |
| DN150* | 168.3 x 2.6 | 168.3 | 163.1 | 53.0 | 285.0 | 240.0 | 709029 | 710190 | 706735 | 710195 |
| DN200* | 219.1 x 2.6 | 219.1 | 213.9 | 60.0 | 340.0 | 295.0 | 710186 | 710191 | 706736 | 710196 |
| DN250* | 273.0 x 3.0 | 273.0 | 267.0 | 68.0 | 405.0 | 355.0 | 710187 | 710192 | 707945 | 710197 |
| DN300* | 323.9 x 3.0 | 323.9 | 317.9 | 76.0 | 460.0 | 410.0 | 710188 | 710193 | 707946 | 710198 |

| ASME BPE | Abmessung dimension | A | B | C | D | LK | MB 1.4435 | e-pol. 1.4435 | MB 1.4404 | e-pol. 1.4404 |
|-----------|---------------------|-------|-------|------|-------|-------|-----------|---------------|-----------|---------------|
| DN 1/2" | 12.7 x 1.65 | 12.7 | 9.4 | 41.5 | 54.0 | 37.0 | 704663 | 710199 | 709770 | 710207 |
| DN 3/4" | 19.05 x 1.65 | 19.05 | 15.75 | 41.5 | 59.0 | 42.0 | 704664 | 710200 | 709771 | 710208 |
| DN 1" | 25.4 x 1.65 | 25.4 | 22.1 | 41.5 | 66.0 | 49.0 | 703397 | 710201 | 705295 | 708857 |
| DN 1 1/2" | 38.1 x 1.65 | 38.1 | 34.8 | 46.5 | 79.0 | 62.0 | 703398 | 710202 | 705296 | 708858 |
| DN 2" | 50.8 x 1.65 | 50.8 | 47.5 | 46.5 | 92.0 | 75.0 | 703400 | 710203 | 705297 | 708859 |
| DN 2 1/2" | 63.5 x 1.65 | 63.5 | 60.2 | 55.5 | 107.0 | 89.0 | 703399 | 710204 | 705298 | 710209 |
| DN 3" | 76.2 x 1.65 | 76.2 | 72.9 | 57.5 | 125.0 | 104.0 | 703401 | 710205 | 705299 | 710210 |
| DN 4" | 101.6 x 2.11 | 101.6 | 97.38 | 59.5 | 157.0 | 135.0 | 703402 | 710206 | 705300 | 710211 |

*) nicht in der DIN-Norm enthalten | non-standard



hygienic flange with groove



weitere Abmessungen auf Anfrage | further dimensions on request

zusätzliche Oberflächenqualitäten analog Seite | additional surface qualities analog page 33

| DIN | Abmessung dimension | A | B | C | D | LK | MB 1.4404 | | | |
|-------|---------------------|-------|-------|------|-------|-------|-----------|--|--|--|
| DN010 | 13.0 x 1.5 | 13.0 | 10.0 | 25.5 | 54.0 | 37.0 | 706202 | | | |
| DN015 | 19.0 x 1.5 | 19.0 | 16.0 | 25.5 | 59.0 | 42.0 | 706203 | | | |
| DN020 | 23.0 x 1.5 | 23.0 | 20.0 | 25.5 | 64.0 | 47.0 | 706204 | | | |
| DN025 | 29.0 x 1.5 | 29.0 | 26.0 | 25.5 | 70.0 | 53.0 | 705658 | | | |
| DN032 | 35.0 x 1.5 | 35.0 | 32.0 | 25.5 | 76.0 | 59.0 | 706205 | | | |
| DN040 | 41.0 x 1.5 | 41.0 | 38.0 | 25.5 | 82.0 | 65.0 | 706206 | | | |
| DN050 | 53.0 x 1.5 | 53.0 | 50.0 | 25.5 | 94.0 | 77.0 | 704494 | | | |
| DN065 | 70.0 x 2.0 | 70.0 | 66.0 | 25.5 | 113.0 | 95.0 | 705035 | | | |
| DN080 | 85.0 x 2.0 | 85.0 | 81.0 | 27.5 | 133.0 | 112.0 | 705677 | | | |
| DN100 | 104.0 x 2.0 | 104.0 | 100.0 | 27.5 | 159.0 | 137.0 | 706207 | | | |
| DN125 | 129.0 x 2.0 | 129.0 | 125.0 | 29.5 | 183.0 | 161.0 | 706208 | | | |
| DN150 | 154.0 x 2.0 | 154.0 | 150.0 | 29.5 | 213.0 | 188.0 | 706209 | | | |

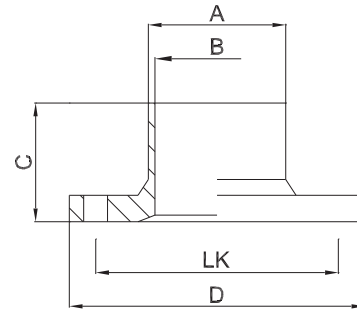
| ISO | Abmessung dimension | A | B | C | D | LK | MB 1.4404 | | | |
|-------|---------------------|-------|-------|------|-------|-------|-----------|--|--|--|
| DN008 | 13.5 x 1.6 | 13.5 | 10.3 | 25.5 | 54.0 | 37.0 | 707336 | | | |
| DN010 | 17.2 x 1.6 | 17.2 | 14.0 | 25.5 | 59.0 | 42.0 | 707337 | | | |
| DN015 | 21.3 x 1.6 | 21.3 | 18.1 | 25.5 | 62.0 | 45.0 | 706210 | | | |
| DN020 | 26.9 x 1.6 | 26.9 | 23.7 | 25.5 | 69.0 | 52.0 | 706211 | | | |
| DN025 | 33.7 x 2.0 | 33.7 | 29.7 | 25.5 | 74.0 | 57.0 | 706212 | | | |
| DN032 | 42.4 x 2.0 | 42.4 | 38.4 | 25.5 | 82.0 | 65.0 | 706213 | | | |
| DN040 | 48.3 x 2.0 | 48.3 | 44.3 | 25.5 | 88.0 | 71.0 | 706214 | | | |
| DN050 | 60.3 x 2.0 | 60.3 | 56.3 | 25.5 | 103.0 | 85.0 | 706215 | | | |
| DN065 | 76.1 x 2.0 | 76.1 | 72.1 | 25.5 | 125.0 | 104.0 | 706216 | | | |
| DN080 | 88.9 x 2.3 | 88.9 | 84.3 | 27.5 | 137.0 | 116.0 | 706217 | | | |
| DN100 | 114.3 x 2.3 | 114.3 | 109.7 | 27.5 | 168.0 | 146.0 | 706218 | | | |

| ASME BPE | Abmessung dimension | A | B | C | D | LK | MB 1.4404 | | | |
|-----------|---------------------|-------|-------|------|-------|-------|-----------|--|--|--|
| DN 1/2" | 12.7 x 1.65 | 12.7 | 9.4 | 25.5 | 54.0 | 37.0 | 709850 | | | |
| DN 3/4" | 19.05 x 1.65 | 19.05 | 15.75 | 25.5 | 59.0 | 42.0 | 709851 | | | |
| DN 1" | 25.4 x 1.65 | 25.4 | 22.1 | 25.5 | 66.0 | 49.0 | 706219 | | | |
| DN 1 1/2" | 38.1 x 1.65 | 38.1 | 34.8 | 25.5 | 79.0 | 62.0 | 706220 | | | |
| DN 2" | 50.8 x 1.65 | 50.8 | 47.5 | 25.5 | 92.0 | 75.0 | 706221 | | | |
| DN 2 1/2" | 63.5 x 1.65 | 63.5 | 60.2 | 25.5 | 107.0 | 89.0 | 706222 | | | |
| DN 3" | 76.2 x 1.65 | 76.2 | 72.9 | 25.5 | 125.0 | 104.0 | 706223 | | | |
| DN 4" | 101.6 x 2.11 | 101.6 | 97.38 | 27.5 | 157.0 | 135.0 | 706224 | | | |



2.4.3 S Steril-Bundflansch DIN 11864-2-A

aseptic flange with collar



zusätzliche Oberflächenqualitäten analog Seite | additional surface qualities analog page 31

weitere Abmessungen auf Anfrage | further dimensions on request

| DIN | Abmessung dimension | A | B | C | D | LK | MB 1.4435 | e-pol. 1.4435 | MB 1.4404 | e-pol. 1.4404 |
|--------|---------------------|-------|-------|------|-------|-------|-----------|---------------|-----------|---------------|
| DN010 | 13.0 x 1.5 | 13.0 | 10.0 | 40.0 | 54.0 | 37.0 | 703349 | 709611 | 704946 | 708834 |
| DN015 | 19.0 x 1.5 | 19.0 | 16.0 | 40.0 | 59.0 | 42.0 | 703350 | 709612 | 705309 | 708835 |
| DN020 | 23.0 x 1.5 | 23.0 | 20.0 | 40.0 | 64.0 | 47.0 | 703351 | 709613 | 705310 | 708836 |
| DN025 | 29.0 x 1.5 | 29.0 | 26.0 | 40.0 | 70.0 | 53.0 | 703352 | 709614 | 705032 | 708837 |
| DN032 | 35.0 x 1.5 | 35.0 | 32.0 | 45.0 | 76.0 | 59.0 | 703353 | 709615 | 705311 | 708838 |
| DN040 | 41.0 x 1.5 | 41.0 | 38.0 | 45.0 | 82.0 | 65.0 | 703354 | 709616 | 704581 | 708839 |
| DN050 | 53.0 x 1.5 | 53.0 | 50.0 | 45.0 | 94.0 | 77.0 | 703355 | 709617 | 705057 | 708840 |
| DN065 | 70.0 x 2.0 | 70.0 | 66.0 | 54.0 | 113.0 | 95.0 | 703356 | 709618 | 705312 | 708841 |
| DN080 | 85.0 x 2.0 | 85.0 | 81.0 | 58.0 | 133.0 | 112.0 | 703357 | 709619 | 704580 | 708842 |
| DN100 | 104.0 x 2.0 | 104.0 | 100.0 | 58.0 | 159.0 | 137.0 | 703358 | 709620 | 705313 | 708843 |
| DN125 | 129.0 x 2.0 | 129.0 | 125.0 | 60.0 | 183.0 | 161.0 | 703359 | 710215 | 705628 | 710220 |
| DN150 | 154.0 x 2.0 | 154.0 | 150.0 | 60.0 | 213.0 | 188.0 | 703360 | 710216 | 706225 | 710221 |
| DN200* | 204.0 x 2.0 | 204.0 | 200.0 | 60.0 | 340.0 | 295.0 | 710212 | 710217 | 707936 | 710222 |
| DN250* | 254.0 x 2.0 | 254.0 | 250.0 | 68.0 | 405.0 | 355.0 | 710213 | 710218 | 707937 | 710223 |
| DN300* | 304.0 x 2.0 | 254.0 | 250.0 | 76.0 | 460.0 | 410.0 | 710214 | 710219 | 707938 | 710224 |

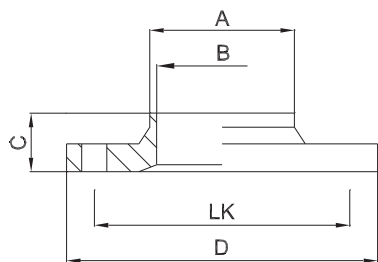
| ISO | Abmessung dimension | A | B | C | D | LK | MB 1.4435 | e-pol. 1.4435 | MB 1.4404 | e-pol. 1.4404 |
|--------|---------------------|-------|-------|------|-------|-------|-----------|---------------|-----------|---------------|
| DN008 | 13.5 x 1.6 | 13.5 | 10.3 | 40.0 | 54.0 | 37.0 | 704298 | 707450 | 707338 | 707461 |
| DN010 | 17.2 x 1.6 | 17.2 | 14.0 | 40.0 | 59.0 | 42.0 | 704659 | 707451 | 707339 | 707462 |
| DN015 | 21.3 x 1.6 | 21.3 | 18.1 | 40.0 | 62.0 | 45.0 | 703361 | 707452 | 705314 | 707463 |
| DN020 | 26.9 x 1.6 | 26.9 | 23.7 | 40.0 | 69.0 | 52.0 | 703362 | 707453 | 704977 | 707464 |
| DN025 | 33.7 x 2.0 | 33.7 | 29.7 | 45.0 | 74.0 | 57.0 | 703363 | 707454 | 705315 | 707465 |
| DN032 | 42.4 x 2.0 | 42.4 | 38.4 | 45.0 | 82.0 | 65.0 | 703364 | 707455 | 705316 | 707466 |
| DN040 | 48.3 x 2.0 | 48.3 | 44.3 | 45.0 | 88.0 | 71.0 | 703365 | 707456 | 705317 | 707467 |
| DN050 | 60.3 x 2.0 | 60.3 | 56.3 | 54.0 | 103.0 | 85.0 | 703366 | 707457 | 705318 | 707468 |
| DN065 | 76.1 x 2.0 | 76.1 | 72.1 | 56.0 | 125.0 | 104.0 | 703367 | 707458 | 705319 | 707469 |
| DN080 | 88.9 x 2.3 | 88.9 | 84.3 | 58.0 | 137.0 | 116.0 | 703368 | 707459 | 705320 | 707470 |
| DN100 | 114.3 x 2.3 | 114.3 | 109.7 | 58.0 | 168.0 | 146.0 | 703369 | 707460 | 705321 | 707471 |
| DN125* | 139.7 x 2.6 | 139.7 | 134.5 | 53.0 | 250.0 | 210.0 | 708800 | 710228 | 707935 | 710233 |
| DN150* | 168.3 x 2.6 | 168.3 | 163.1 | 53.0 | 285.0 | 240.0 | 709106 | 710229 | 706733 | 710234 |
| DN200* | 219.1 x 2.6 | 219.1 | 213.9 | 60.0 | 340.0 | 295.0 | 710225 | 710230 | 706734 | 710235 |
| DN250* | 273.0 x 3.0 | 273.0 | 267.0 | 68.0 | 405.0 | 355.0 | 710226 | 710231 | 707939 | 710236 |
| DN300* | 323.9 x 3.0 | 323.9 | 317.9 | 76.0 | 460.0 | 410.0 | 710227 | 710232 | 707940 | 710237 |

| ASME BPE | Abmessung dimension | A | B | C | D | LK | MB 1.4435 | e-pol. 1.4435 | MB 1.4404 | e-pol. 1.4404 |
|-----------|---------------------|-------|-------|------|-------|-------|-----------|---------------|-----------|---------------|
| DN 1/2" | 12.7 x 1.65 | 12.7 | 9.4 | 40.0 | 54.0 | 37.0 | 704661 | 710238 | 709772 | 710246 |
| DN 3/4" | 19.05 x 1.65 | 19.05 | 15.75 | 40.0 | 59.0 | 42.0 | 704660 | 710239 | 709773 | 710247 |
| DN 1" | 25.4 x 1.65 | 25.4 | 22.1 | 40.0 | 66.0 | 49.0 | 703370 | 710240 | 705322 | 708844 |
| DN 1 1/2" | 38.1 x 1.65 | 38.1 | 34.8 | 45.0 | 79.0 | 62.0 | 703371 | 710241 | 705323 | 708845 |
| DN 2" | 50.8 x 1.65 | 50.8 | 47.5 | 45.0 | 92.0 | 75.0 | 703372 | 710242 | 705324 | 708846 |
| DN 2 1/2" | 63.5 x 1.65 | 63.5 | 60.2 | 54.0 | 107.0 | 89.0 | 703373 | 710243 | 705325 | 710248 |
| DN 3" | 76.2 x 1.65 | 76.2 | 72.9 | 56.0 | 125.0 | 104.0 | 703374 | 710244 | 705326 | 710249 |
| DN 4" | 101.6 x 2.11 | 101.6 | 97.38 | 58.0 | 157.0 | 135.0 | 703375 | 710245 | 705327 | 710250 |

*) nicht in der DIN-Norm enthalten | non-standard



hygienic flange with collar



weitere Abmessungen auf Anfrage | further dimensions on request

zusätzliche Oberflächenqualitäten analog Seite | additional surface qualities analog page 33

| DIN | Abmessung dimension | A | B | C | D | LK | MB 1.4404 | | | |
|-------|---------------------|-------|-------|------|-------|-------|-----------|--|--|--|
| DN010 | 13.0 x 1.5 | 13.0 | 10.0 | 24.0 | 54.0 | 37.0 | 706226 | | | |
| DN015 | 19.0 x 1.5 | 19.0 | 16.0 | 24.0 | 59.0 | 42.0 | 706227 | | | |
| DN020 | 23.0 x 1.5 | 23.0 | 20.0 | 24.0 | 64.0 | 47.0 | 706228 | | | |
| DN025 | 29.0 x 1.5 | 29.0 | 26.0 | 24.0 | 70.0 | 53.0 | 705659 | | | |
| DN032 | 35.0 x 1.5 | 35.0 | 32.0 | 24.0 | 76.0 | 59.0 | 706229 | | | |
| DN040 | 41.0 x 1.5 | 41.0 | 38.0 | 24.0 | 82.0 | 65.0 | 706230 | | | |
| DN050 | 53.0 x 1.5 | 53.0 | 50.0 | 24.0 | 94.0 | 77.0 | 706231 | | | |
| DN065 | 70.0 x 2.0 | 70.0 | 66.0 | 24.0 | 113.0 | 95.0 | 706232 | | | |
| DN080 | 85.0 x 2.0 | 85.0 | 81.0 | 26.0 | 133.0 | 112.0 | 706233 | | | |
| DN100 | 104.0 x 2.0 | 104.0 | 100.0 | 26.0 | 159.0 | 137.0 | 706234 | | | |
| DN125 | 129.0 x 2.0 | 129.0 | 125.0 | 28.0 | 183.0 | 161.0 | 706235 | | | |
| DN150 | 154.0 x 2.0 | 154.0 | 150.0 | 28.0 | 213.0 | 188.0 | 706236 | | | |

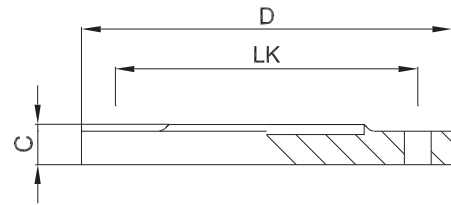
| ISO | Abmessung dimension | A | B | C | D | LK | MB 1.4404 | | | |
|-------|---------------------|-------|-------|------|-------|-------|-----------|--|--|--|
| DN008 | 13.5 x 1.6 | 13.5 | 10.3 | 24.0 | 54.0 | 37.0 | 707340 | | | |
| DN010 | 17.2 x 1.6 | 17.2 | 14.0 | 24.0 | 59.0 | 42.0 | 707341 | | | |
| DN015 | 21.3 x 1.6 | 21.3 | 18.1 | 24.0 | 62.0 | 45.0 | 706237 | | | |
| DN020 | 26.9 x 1.6 | 26.9 | 23.7 | 24.0 | 69.0 | 52.0 | 706238 | | | |
| DN025 | 33.7 x 2.0 | 33.7 | 29.7 | 24.0 | 74.0 | 57.0 | 706239 | | | |
| DN032 | 42.4 x 2.0 | 42.4 | 38.4 | 24.0 | 82.0 | 65.0 | 706240 | | | |
| DN040 | 48.3 x 2.0 | 48.3 | 44.3 | 24.0 | 88.0 | 71.0 | 706241 | | | |
| DN050 | 60.3 x 2.0 | 60.3 | 56.3 | 24.0 | 103.0 | 85.0 | 706242 | | | |
| DN065 | 76.1 x 2.0 | 76.1 | 72.1 | 24.0 | 125.0 | 104.0 | 706243 | | | |
| DN080 | 88.9 x 2.3 | 88.9 | 84.3 | 26.0 | 137.0 | 116.0 | 706244 | | | |
| DN100 | 114.3 x 2.3 | 114.3 | 109.7 | 26.0 | 168.0 | 146.0 | 706245 | | | |

| ASME BPE | Abmessung dimension | A | B | C | D | LK | MB 1.4404 | | | |
|-----------|---------------------|-------|-------|------|-------|-------|-----------|--|--|--|
| DN 1/2" | 12.7 x 1.65 | 12.7 | 9.4 | 24.0 | 54.0 | 37.0 | 709852 | | | |
| DN 3/4" | 19.05 x 1.65 | 19.05 | 15.75 | 24.0 | 59.0 | 42.0 | 709853 | | | |
| DN 1" | 25.4 x 1.65 | 25.4 | 22.1 | 24.0 | 66.0 | 49.0 | 706246 | | | |
| DN 1 1/2" | 38.1 x 1.65 | 38.1 | 34.8 | 24.0 | 79.0 | 62.0 | 706247 | | | |
| DN 2" | 50.8 x 1.65 | 50.8 | 47.5 | 24.0 | 92.0 | 75.0 | 706248 | | | |
| DN 2 1/2" | 63.5 x 1.65 | 63.5 | 60.2 | 24.0 | 107.0 | 89.0 | 706249 | | | |
| DN 3" | 76.2 x 1.65 | 76.2 | 72.9 | 24.0 | 125.0 | 104.0 | 706250 | | | |
| DN 4" | 101.6 x 2.11 | 101.6 | 97.38 | 26.0 | 157.0 | 135.0 | 706251 | | | |



2.4.4 Blindnutflansch DIN 11864-2-A/DIN 11853-2

blind flange with groove



zusätzliche Oberflächenqualitäten analog Seite | additional surface qualities analog page 31

weitere Abmessungen auf Anfrage | further dimensions on request

| DIN | Abmessung dimension | C | D | LK | | | MB 1.4435 | e-pol. 1.4435 | MB 1.4404 | e-pol. 1.4404 |
|--------|---------------------|------|-------|-------|--|--|-----------|---------------|-----------|---------------|
| DN010 | 13.0 x 1.5 | 11.5 | 54.0 | 37.0 | | | 703423 | 709651 | 705426 | 709626 |
| DN015 | 19.0 x 1.5 | 11.5 | 59.0 | 42.0 | | | 703424 | 709652 | 705427 | 709627 |
| DN020 | 23.0 x 1.5 | 11.5 | 64.0 | 47.0 | | | 703425 | 709653 | 705428 | 709628 |
| DN025 | 29.0 x 1.5 | 11.5 | 70.0 | 53.0 | | | 703426 | 709654 | 705429 | 709629 |
| DN032 | 35.0 x 1.5 | 11.5 | 76.0 | 59.0 | | | 703427 | 709655 | 705430 | 709630 |
| DN040 | 41.0 x 1.5 | 11.5 | 82.0 | 65.0 | | | 703428 | 709656 | 704927 | 709631 |
| DN050 | 53.0 x 1.5 | 11.5 | 94.0 | 77.0 | | | 703429 | 709657 | 704928 | 709632 |
| DN065 | 70.0 x 2.0 | 11.5 | 113.0 | 95.0 | | | 703430 | 709658 | 705431 | 709633 |
| DN080 | 85.0 x 2.0 | 13.5 | 133.0 | 112.0 | | | 703431 | 709659 | 705432 | 709634 |
| DN100 | 104.0 x 2.0 | 15.5 | 159.0 | 137.0 | | | 703432 | 709660 | 705433 | 709635 |
| DN125 | 129.0 x 2.0 | 15.5 | 183.0 | 161.0 | | | 706268 | 709661 | 705434 | 709636 |
| DN150 | 154.0 x 2.0 | 17.5 | 213.0 | 188.0 | | | 706269 | 709662 | 705435 | 709637 |
| DN200* | 204.0 x 2.0 | 25.0 | 340.0 | 295.0 | | | ** | ** | ** | ** |
| DN250* | 254.0 x 2.0 | 25.0 | 405.0 | 355.0 | | | ** | ** | ** | ** |
| DN300* | 304.0 x 2.0 | 28.0 | 460.0 | 410.0 | | | ** | ** | ** | ** |

| ISO | Abmessung dimension | C | D | LK | | | MB 1.4435 | e-pol. 1.4435 | MB 1.4404 | e-pol. 1.4404 |
|--------|---------------------|------|-------|-------|--|--|-----------|---------------|-----------|---------------|
| DN008 | 13.5 x 1.6 | 11.5 | 54.0 | 37.0 | | | 704697 | 709380 | 709786 | 709790 |
| DN010 | 17.2 x 1.6 | 11.5 | 59.0 | 42.0 | | | 704696 | 709381 | 709787 | 709791 |
| DN015 | 21.3 x 1.6 | 11.5 | 62.0 | 45.0 | | | 704695 | 709382 | 705436 | 709400 |
| DN020 | 26.9 x 1.6 | 11.5 | 69.0 | 52.0 | | | 704694 | 709383 | 705437 | 709401 |
| DN025 | 33.7 x 2.0 | 11.5 | 74.0 | 57.0 | | | 704693 | 709384 | 705438 | 709402 |
| DN032 | 42.4 x 2.0 | 11.5 | 82.0 | 65.0 | | | 704692 | 709385 | 705439 | 709403 |
| DN040 | 48.3 x 2.0 | 11.5 | 88.0 | 71.0 | | | 704691 | 709386 | 705440 | 709404 |
| DN050 | 60.3 x 2.0 | 11.5 | 103.0 | 85.0 | | | 704497 | 709387 | 705441 | 709405 |
| DN065 | 76.1 x 2.0 | 13.5 | 125.0 | 104.0 | | | 704498 | 709388 | 705442 | 709406 |
| DN080 | 88.9 x 2.3 | 13.5 | 137.0 | 116.0 | | | 704499 | 709389 | 705443 | 709407 |
| DN100 | 114.3 x 2.3 | 15.5 | 168.0 | 146.0 | | | 704698 | 709390 | 705444 | 709408 |
| DN125* | 139.7 x 2.6 | 23.0 | 250.0 | 210.0 | | | ** | ** | ** | ** |
| DN150* | 168.3 x 2.6 | 23.0 | 285.0 | 240.0 | | | ** | ** | ** | ** |
| DN200* | 219.1 x 2.6 | 25.0 | 340.0 | 295.0 | | | ** | ** | ** | ** |
| DN250* | 273.0 x 3.0 | 25.0 | 405.0 | 355.0 | | | ** | ** | ** | ** |
| DN300* | 323.9 x 3.0 | 28.0 | 460.0 | 410.0 | | | ** | ** | ** | ** |

| ASME BPE | Abmessung dimension | C | D | LK | | | MB 1.4435 | e-pol. 1.4435 | MB 1.4404 | e-pol. 1.4404 |
|-----------|---------------------|------|-------|-------|--|--|-----------|---------------|-----------|---------------|
| DN 1/2" | 12.7 x 1.65 | 11.5 | 54.0 | 37.0 | | | 704684 | 710251 | 709776 | 710259 |
| DN 3/4" | 19.05 x 1.65 | 11.5 | 59.0 | 42.0 | | | 704685 | 710252 | 709777 | 710260 |
| DN 1" | 25.4 x 1.65 | 11.5 | 66.0 | 49.0 | | | 704686 | 710253 | 705447 | 710261 |
| DN 1 1/2" | 38.1 x 1.65 | 11.5 | 79.0 | 62.0 | | | 704687 | 710254 | 705448 | 710262 |
| DN 2" | 50.8 x 1.65 | 11.5 | 92.0 | 75.0 | | | 704688 | 710255 | 705449 | 710263 |
| DN 2 1/2" | 63.5 x 1.65 | 11.5 | 107.0 | 89.0 | | | 704699 | 710256 | 705450 | 710264 |
| DN 3" | 76.2 x 1.65 | 13.5 | 125.0 | 104.0 | | | 704689 | 710257 | 705451 | 710265 |
| DN 4" | 101.6 x 2.11 | 15.5 | 157.0 | 135.0 | | | 704690 | 710258 | 705452 | 710266 |

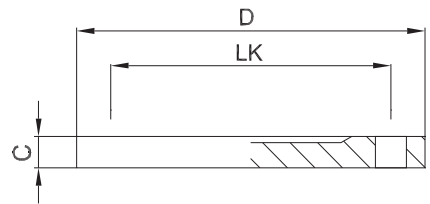
*) nicht in der DIN-Norm enthalten | non-standard

**) auf Anfrage | on request



2.4.5 Blindbundflansch DIN 11864-2-A/DIN 11853-2

blind flange with collar



zusätzliche Oberflächenqualitäten analog Seite | additional surface qualities analog page 31

weitere Abmessungen auf Anfrage | further dimensions on request

| DIN | Abmessung dimension | C | D | LK | | | MB 1.4435 | e-pol. 1.4435 | MB 1.4404 | e-pol. 1.4404 |
|--------|---------------------|------|-------|-------|--|--|-----------|---------------|-----------|---------------|
| DN010 | 13.0 x 1.5 | 10.0 | 54.0 | 37.0 | | | 703587 | 709663 | 705399 | 709638 |
| DN015 | 19.0 x 1.5 | 10.0 | 59.0 | 42.0 | | | 703588 | 709664 | 705400 | 709639 |
| DN020 | 23.0 x 1.5 | 10.0 | 64.0 | 47.0 | | | 703589 | 709665 | 705401 | 709640 |
| DN025 | 29.0 x 1.5 | 10.0 | 70.0 | 53.0 | | | 703590 | 709666 | 704988 | 709641 |
| DN032 | 35.0 x 1.5 | 10.0 | 76.0 | 59.0 | | | 703591 | 709667 | 704989 | 709642 |
| DN040 | 41.0 x 1.5 | 10.0 | 82.0 | 65.0 | | | 703592 | 709668 | 705402 | 709643 |
| DN050 | 53.0 x 1.5 | 10.0 | 94.0 | 77.0 | | | 703593 | 709669 | 705403 | 709644 |
| DN065 | 70.0 x 2.0 | 10.0 | 113.0 | 95.0 | | | 703594 | 709670 | 705404 | 709645 |
| DN080 | 85.0 x 2.0 | 12.0 | 133.0 | 112.0 | | | 703595 | 709671 | 705405 | 709646 |
| DN100 | 104.0 x 2.0 | 14.0 | 159.0 | 137.0 | | | 703596 | 709672 | 705406 | 709647 |
| DN125 | 129.0 x 2.0 | 14.0 | 183.0 | 161.0 | | | 706266 | 709673 | 705407 | 709648 |
| DN150 | 154.0 x 2.0 | 16.0 | 213.0 | 188.0 | | | 706267 | 709674 | 705408 | 709649 |
| DN200* | 204.0 x 2.0 | 25.0 | 340.0 | 295.0 | | | ** | ** | ** | ** |
| DN250* | 254.0 x 2.0 | 25.0 | 405.0 | 355.0 | | | ** | ** | ** | ** |
| DN300* | 304.0 x 2.0 | 28.0 | 460.0 | 410.0 | | | ** | ** | ** | ** |

| ISO | Abmessung dimension | C | D | LK | | | MB 1.4435 | e-pol. 1.4435 | MB 1.4404 | e-pol. 1.4404 |
|--------|---------------------|------|-------|-------|--|--|-----------|---------------|-----------|---------------|
| DN008 | 13.5 x 1.6 | 10.0 | 54.0 | 37.0 | | | 704665 | 709369 | 709788 | 709792 |
| DN010 | 17.2 x 1.6 | 10.0 | 59.0 | 42.0 | | | 704666 | 709370 | 709789 | 709793 |
| DN015 | 21.3 x 1.6 | 10.0 | 62.0 | 45.0 | | | 704667 | 709371 | 705409 | 709391 |
| DN020 | 26.9 x 1.6 | 10.0 | 69.0 | 52.0 | | | 704668 | 709372 | 705410 | 709392 |
| DN025 | 33.7 x 2.0 | 10.0 | 74.0 | 57.0 | | | 704669 | 709373 | 705411 | 709393 |
| DN032 | 42.4 x 2.0 | 10.0 | 82.0 | 65.0 | | | 704670 | 709374 | 705412 | 709394 |
| DN040 | 48.3 x 2.0 | 10.0 | 88.0 | 71.0 | | | 704671 | 709375 | 705413 | 709395 |
| DN050 | 60.3 x 2.0 | 10.0 | 103.0 | 85.0 | | | 704672 | 709376 | 705414 | 709396 |
| DN065 | 76.1 x 2.0 | 12.0 | 125.0 | 104.0 | | | 704673 | 709377 | 705415 | 709397 |
| DN080 | 88.9 x 2.3 | 12.0 | 137.0 | 116.0 | | | 704674 | 709378 | 705416 | 709398 |
| DN100 | 114.3 x 2.3 | 14.0 | 168.0 | 146.0 | | | 704675 | 709379 | 705417 | 709399 |
| DN125* | 139.7 x 2.6 | 23.0 | 250.0 | 210.0 | | | ** | ** | ** | ** |
| DN150* | 168.3 x 2.6 | 23.0 | 285.0 | 240.0 | | | ** | ** | ** | ** |
| DN200* | 219.1 x 2.6 | 25.0 | 340.0 | 295.0 | | | ** | ** | ** | ** |
| DN250* | 273.0 x 3.0 | 25.0 | 405.0 | 355.0 | | | ** | ** | ** | ** |
| DN300* | 323.9 x 3.0 | 28.0 | 460.0 | 410.0 | | | ** | ** | ** | ** |

| ASME BPE | Abmessung dimension | C | D | LK | | | MB 1.4435 | e-pol. 1.4435 | MB 1.4404 | e-pol. 1.4404 |
|-----------|---------------------|------|-------|-------|--|--|-----------|---------------|-----------|---------------|
| DN 1/2" | 12.7 x 1.65 | 10.0 | 54.0 | 37.0 | | | 704676 | 710267 | 709778 | 710275 |
| DN 3/4" | 19.05 x 1.65 | 10.0 | 59.0 | 42.0 | | | 704677 | 710268 | 709779 | 710276 |
| DN 1" | 25.4 x 1.65 | 10.0 | 66.0 | 49.0 | | | 704678 | 710269 | 705419 | 710277 |
| DN 1 1/2" | 38.1 x 1.65 | 10.0 | 79.0 | 62.0 | | | 704679 | 710270 | 705420 | 710278 |
| DN 2" | 50.8 x 1.65 | 10.0 | 92.0 | 75.0 | | | 704680 | 710271 | 705421 | 710279 |
| DN 2 1/2" | 63.5 x 1.65 | 10.0 | 107.0 | 89.0 | | | 704681 | 710272 | 705423 | 710280 |
| DN 3" | 76.2 x 1.65 | 12.0 | 125.0 | 104.0 | | | 704682 | 710273 | 705424 | 710281 |
| DN 4" | 101.6 x 2.11 | 14.0 | 157.0 | 135.0 | | | 704683 | 710274 | 705425 | 710282 |

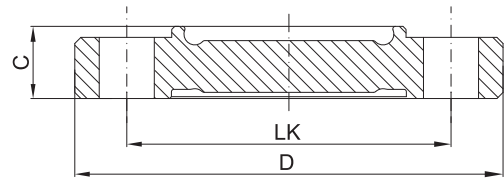
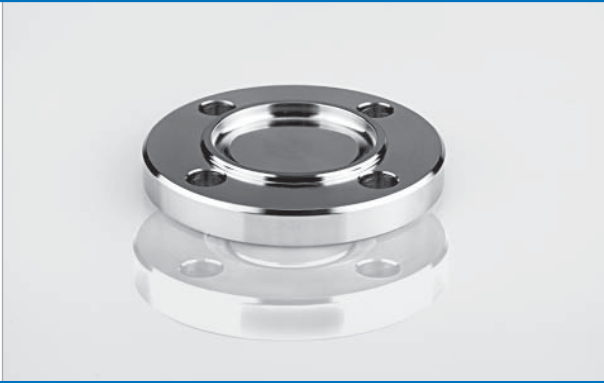
*) nicht in der DIN-Norm enthalten | non-standard

***) auf Anfrage | on request



2.4.6 Flanschblende in Anlehnung an DIN 11864-2-A/DIN 11853-2

orifice flange following DIN 11864-2-A/DIN 11853-2



zusätzliche Oberflächenqualitäten analog Seite | additional surface qualities analog page 33

weitere Abmessungen auf Anfrage | further dimensions on request

| DIN | Abmessung dimension | C | D | LK | | | MB 1.4435 | | | |
|-------|---------------------|------|-------|-------|--|--|-----------|--|--|--|
| DN010 | 13.0 x 1.5 | 11.5 | 54.0 | 37.0 | | | 707792 | | | |
| DN015 | 19.0 x 1.5 | 11.5 | 59.0 | 42.0 | | | 707793 | | | |
| DN020 | 23.0 x 1.5 | 11.5 | 64.0 | 47.0 | | | 707794 | | | |
| DN025 | 29.0 x 1.5 | 11.5 | 70.0 | 53.0 | | | 707795 | | | |
| DN032 | 35.0 x 1.5 | 11.5 | 76.0 | 59.0 | | | 707796 | | | |
| DN040 | 41.0 x 1.5 | 11.5 | 82.0 | 65.0 | | | 707797 | | | |
| DN050 | 53.0 x 1.5 | 11.5 | 94.0 | 77.0 | | | 707695 | | | |
| DN065 | 70.0 x 2.0 | 11.5 | 113.0 | 95.0 | | | 707798 | | | |
| DN080 | 85.0 x 2.0 | 13.5 | 133.0 | 112.0 | | | 707799 | | | |
| DN100 | 104.0 x 2.0 | 15.5 | 159.0 | 137.0 | | | 707800 | | | |

| ISO | Abmessung dimension | C | D | LK | | | MB 1.4435 | | | |
|-------|---------------------|------|-------|-------|--|--|-----------|--|--|--|
| DN008 | 13.5 x 1.6 | 11.5 | 54.0 | 37.0 | | | 707241 | | | |
| DN010 | 17.2 x 1.6 | 11.5 | 59.0 | 42.0 | | | 707242 | | | |
| DN015 | 21.3 x 1.6 | 11.5 | 62.0 | 45.0 | | | 707243 | | | |
| DN020 | 26.9 x 1.6 | 11.5 | 69.0 | 52.0 | | | 707244 | | | |
| DN025 | 33.7 x 2.0 | 11.5 | 74.0 | 57.0 | | | 707245 | | | |
| DN032 | 42.4 x 2.0 | 11.5 | 82.0 | 65.0 | | | 707246 | | | |
| DN040 | 48.3 x 2.0 | 11.5 | 88.0 | 71.0 | | | 707247 | | | |
| DN050 | 60.3 x 2.0 | 11.5 | 103.0 | 85.0 | | | 707248 | | | |
| DN065 | 76.1 x 2.0 | 13.5 | 125.0 | 104.0 | | | 707249 | | | |
| DN080 | 88.9 x 2.3 | 13.5 | 137.0 | 116.0 | | | 707250 | | | |
| DN100 | 114.3 x 2.3 | 15.5 | 168.0 | 146.0 | | | 707251 | | | |

| ASME BPE | Abmessung dimension | C | D | LK | | | MB 1.4435 | | | |
|-----------|---------------------|------|-------|-------|--|--|-----------|--|--|--|
| DN 1/2" | 12.7 x 1.65 | 11.5 | 54.0 | 37.0 | | | 708821 | | | |
| DN 3/4" | 19.05 x 1.65 | 11.5 | 59.0 | 42.0 | | | 708822 | | | |
| DN 1" | 25.4 x 1.65 | 11.5 | 66.0 | 49.0 | | | 708823 | | | |
| DN 1 1/2" | 38.1 x 1.65 | 11.5 | 79.0 | 62.0 | | | 708824 | | | |
| DN 2" | 50.8 x 1.65 | 11.5 | 92.0 | 75.0 | | | 708825 | | | |
| DN 2 1/2" | 63.5 x 1.65 | 11.5 | 107.0 | 89.0 | | | 708826 | | | |
| DN 3" | 76.2 x 1.65 | 13.5 | 125.0 | 104.0 | | | 708827 | | | |
| DN 4" | 101.6 x 2.11 | 15.5 | 157.0 | 135.0 | | | 708828 | | | |



Lieferung erfolgt ohne Drosselbohrung
delivered without throttling port