

**Legende**

- A Außendurchmesser
- B Innendurchmesser
- C Gesamtlänge
- E (Clamp-) Flansch-Außendurchmesser

**Abmessungen**

- DIN 11866-A (DIN 11850)
- DIN 11866-B (EN ISO 1127)
- DIN 11866-C (ASME BPE)

**Normative Verweisungen,****Anforderungen / Abnahmen (Vormaterial)**

- DIN 11864
- BN2 (gültig für Bauteile in 1.4435)
- EN 10088-1/-3
- EN 10204
- EN 10222-5 (Rohlinge)
- EN 10254 (Rohlinge)
- EN 10272
- ASTM A276
- ASTM A182/A182M / ASME SA182/SA182M
- ASTM A479/A479M / ASME SA479/SA479M
- ASME SA336 (Rohlinge)
- AD 2000-W2

**Kennzeichnung**

Hersteller, Werkstoff, Abmessung, Schmelze,  
DIN 11864

**Toleranzen (Bezugsnorm)**

DIN 11864 / ISO 2768-1

**Verpackung**

Schweißenden mit Kunststoffkappen verschlossen,  
einzeln verpackt.

**Werkstoffe**

- 1.4435 / 1.4404 (mediumberührt)
- 1.4301/08 (nicht mediumberührt)
- EPDM (Standard)

**weitere Werkstoffe auf Anfrage****Oberflächenbeschaffenheit ("MB")**

- innen: feinstgedreht, Ra < 0.8 µm
- außen: feingedreht, Ra < 1.6 µm

**Key**

- external diameter
- internal diameter
- total length
- outer (clamp) flange diameter

**Dimensions**

- DIN 11866-A (DIN 11850)
- DIN 11866-B (EN ISO 1127)
- DIN 11866-C (ASME BPE)

**Normative References,****Requirements / Approvals (raw material)**

- DIN 11864
- BN2 (valid for components in 1.4435)
- EN 10088-1/-3
- EN 10204
- EN 10222-5 (forgings)
- EN 10254 (forgings)
- EN 10272
- ASTM A276
- ASTM A182/A182M / ASME SA182/SA182M
- ASTM A479/A479M / ASME SA479/SA479M
- ASME SA336 (forgings)
- AD 2000-W2

**Marking**

manufacturer, material, dimension, heat,  
DIN 11864

**Tolerances (reference standard)**

DIN 11864 / ISO 2768-1

**Packaging**

Welding ends covered with plastic caps,  
wrapped separately.

**Materials**

- 316L (at medium contact surface)
- 304 (not at medium contact surface)
- EPDM (standard)

**further materials on request****Surface condition ("MB")**

- inside: ultra-fine turned, Ra < 0.8 µm
- outside: refined turned, Ra < 1.6 µm

**Oberflächenqualitäten | surface qualities**

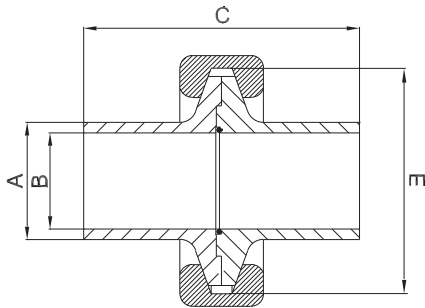
Innenoberfläche internal surface finish	(Zusatz-) Artikel-Nr. (additional) order No
Ra < 0.6 µm (STERI-line®)	999279
Ra < 0.5 µm (STERI-line®)	999280
Ra < 0.4 µm (HQ-line®)	999281
Ra < 0.25 µm (HQ-line®)	999283

**Bestellbeispiel | ordering example**

Artikelbezeichnung + Ausführungen article description + variants	Artikel-Nr. order No
Steril-Clampverbindung DN025 ISO (1.4435, EPDM) aseptic clamp connection DIN 11864-3-A	707622
e-polier   e-polished	
Ra < 0.4 µm	+ 999281



Zubehör ab Seite 75 | accessories from page 75 on



weitere Abmessungen auf Anfrage | further dimensions on request

DIN	Abmessung dimension	A	B	C	E		MB 1.4435	e-pol. 1.4435	MB 1.4404	e-pol. 1.4404
DN010*	12.0 x 1.0	12.0	10.0	76.0	Ø 34.0		707227	708862	XXX	XXX
DN010	13.0 x 1.5	13.0	10.0	76.0	Ø 34.0		704824	710290	706098	710304
DN015	19.0 x 1.5	19.0	16.0	76.0	Ø 34.0		704825	710291	706099	710305
DN020	23.0 x 1.5	23.0	20.0	76.0	Ø 50.5		704826	710292	706100	710306
DN025	29.0 x 1.5	29.0	26.0	77.0	Ø 50.5		704827	710293	706101	710307
DN032	35.0 x 1.5	35.0	32.0	88.0	Ø 50.5		704828	710294	706102	710308
DN040	41.0 x 1.5	41.0	38.0	88.0	Ø 64.0		704829	710295	706103	710309
DN050	53.0 x 1.5	53.0	50.0	89.0	Ø 77.5		704830	710296	706104	710310
DN065	70.0 x 2.0	70.0	66.0	113.0	Ø 91.0		704831	710297	706105	710311
DN080	85.0 x 2.0	85.0	81.0	117.0	Ø 106.0		704832	710298	706106	710312
DN100	104.0 x 2.0	104.0	100.0	120.0	Ø 130.0		704833	710299	706107	710313
DN125*	129.0 x 2.0	129.0	125.0	120.0	Ø 155.0		710288	710300	710302	710314
DN150*	154.0 x 2.0	154.0	150.0	120.0	Ø 183.0		710289	710301	710303	710315

ISO	Abmessung dimension	A	B	C	E		MB 1.4435	e-pol. 1.4435	MB 1.4404	e-pol. 1.4404
DN008	13.5 x 1.6	13.5	10.3	76.0	Ø 34.0		704842	707618	706545	707629
DN010	17.2 x 1.6	17.2	14.0	76.0	Ø 34.0		704843	707619	706547	707630
DN015	21.3 x 1.6	21.3	18.1	78.0	Ø 34.0		704844	707620	706549	707631
DN020	26.9 x 1.6	26.9	23.7	78.0	Ø 50.5		704845	707621	706551	707632
DN025	33.7 x 2.0	33.7	29.7	88.0	Ø 50.5		704846	707622	706553	707633
DN032	42.4 x 2.0	42.4	38.4	88.0	Ø 64.0		704847	707623	706555	707634
DN040	48.3 x 2.0	48.3	44.3	90.0	Ø 64.0		704848	707624	706557	707635
DN050	60.3 x 2.0	60.3	56.3	114.0	Ø 91.0		704849	707625	706559	707636
DN065	76.1 x 2.0	76.1	72.1	117.0	Ø 106.0		704850	707626	706561	707637
DN080	88.9 x 2.3	88.9	84.3	122.0	Ø 119.0		704851	707627	706563	707638
DN100*	114.3 x 2.3	114.3	109.7	130.0	Ø 144.4		704852	707628	706565	707639
DN125*	139.7 x 2.6	139.7	134.5	120.0	Ø 155.0		710316	710319	710322	710325
DN150*	168.3 x 2.6	168.3	163.1	120.0	Ø 183.0		710317	710320	710323	710326
DN200*	219.1 x 2.6	219.1	213.9	120.0	Ø 233.5		710318	710321	710324	710327

ASME BPE	Abmessung dimension	A	B	C	E		MB 1.4435	e-pol. 1.4435	MB 1.4404	e-pol. 1.4404
DN 1/2"	12.7 x 1.65	12.7	9.4	76.0	Ø 34.0		704834	710328	710335	710343
DN 3/4"	19.05 x 1.65	19.05	15.75	76.0	Ø 34.0		704835	709128	710336	710344
DN 1"	25.4 x 1.65	25.4	22.1	77.0	Ø 50.5		704836	710329	710337	710345
DN 1 1/2"	38.1 x 1.65	38.1	34.8	88.0	Ø 64.0		704837	710330	710338	710346
DN 2"	50.8 x 1.65	50.8	47.5	89.0	Ø 77.5		704838	710331	710339	710347
DN 2 1/2"	63.5 x 1.65	63.5	60.2	115.0	Ø 91.0		704839	710332	710340	710348
DN 3"	76.2 x 1.65	76.2	72.9	117.0	Ø 106.0		704840	710333	710341	710349
DN 4"	101.6 x 2.11	101.6	97.38	119.0	Ø 130.0		704841	710334	710342	710350

\*) nicht in der DIN-Norm enthalten | non-standard



**Legende**

- A Außendurchmesser
- B Innendurchmesser
- C Gesamtlänge
- E (Clamp-) Flansch-Außendurchmesser

**Abmessungen**

- DIN 11866-A (DIN 11850)
- DIN 11866-B (EN ISO 1127)
- DIN 11866-C (ASME BPE)

**Normative Verweisungen, Anforderungen / Abnahmen (Vormaterial)**

- DIN 11853
- EN 10088-1/-3
- EN 10204
- EN 10222-5 (Rohlinge)
- EN 10254 (Rohlinge)
- EN 10272
- ASTM A276
- ASTM A182/A182M / ASME SA182/SA182M
- ASTM A479/A479M / ASME SA479/SA479M
- ASME SA336 (Rohlinge)
- AD 2000-W2

**Kennzeichnung**

Hersteller, Werkstoff, Abmessung, Schmelze, DIN 11853

**Toleranzen (Bezugsnorm)**

DIN 11853 / ISO 2768-1

**Verpackung**

Schweißenden mit Kunststoffkappen verschlossen, einzeln verpackt.

**Werkstoffe**

- 1.4404 (mediumberührt)
- 1.4301/08 (nicht mediumberührt)
- EPDM (Standard)

**weitere Werkstoffe auf Anfrage**

**Oberflächenbeschaffenheit ("MB")**

innen: feinstgedreht, Ra < 0.8 µm  
 außen: feingedreht, Ra < 1.6 µm

**Key**

- external diameter
- internal diameter
- total length
- outer (clamp) flange diameter

**Dimensions**

- DIN 11866-A (DIN 11850)
- DIN 11866-B (EN ISO 1127)
- DIN 11866-C (ASME BPE)

**Normative References, Requirements / Approvals (raw material)**

- DIN 11853
- EN 10088-1/-3
- EN 10204
- EN 10222-5 (forgings)
- EN 10254 (forgings)
- EN 10272
- ASTM A276
- ASTM A182/A182M / ASME SA182/SA182M
- ASTM A479/A479M / ASME SA479/SA479M
- ASME SA336 (forgings)
- AD 2000-W2

**Marking**

manufacturer, material, dimension, heat, DIN 11853

**Tolerances (reference standard)**

DIN 11853 / ISO 2768-1

**Packaging**

Welding ends covered with plastic caps, wrapped separately.

**Materials**

- 316L (at medium contact surface)
- 304 (not at medium contact surface)
- EPDM (standard)

**further materials on request**

**Surface condition ("MB")**

inside: ultra-fine turned, Ra < 0.8 µm  
 outside: refined turned, Ra < 1.6 µm



**Oberflächenqualitäten | surface qualities**

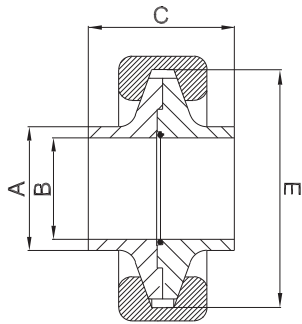
Innenoberfläche internal surface finish	(Zusatz-) Artikel-Nr. (additional) order No
e-polier   e-polished	999277
Ra < 0.6 µm (STERI-line®)	999279
Ra < 0.5 µm (STERI-line®)	999280
Ra < 0.4 µm (HQ-line®)	999281
Ra < 0.25 µm (HQ-line®)	999283

**Bestellbeispiel | ordering example**

Artikelbezeichnung + Ausführungen article description + variants	Artikel-Nr. order No
Hygiene-Clampverbindung DN025 ISO (1.4404, EPDM) hygienic clamp connection DIN 11853-3	706554
Ra < 0.5 µm	
	+ 999280



Zubehör ab Seite 75 | accessories from page 75 on



weitere Abmessungen auf Anfrage | further dimensions on request

DIN	Abmessung dimension	A	B	C	E	MB 1.4404
DN010	13.0 x 1.5	13.0	10.0	44.0	Ø 34.0	706108
DN015	19.0 x 1.5	19.0	16.0	44.0	Ø 34.0	706109
DN020	23.0 x 1.5	23.0	20.0	44.0	Ø 50.5	706110
DN025	29.0 x 1.5	29.0	26.0	44.0	Ø 50.5	706111
DN032	35.0 x 1.5	35.0	32.0	48.0	Ø 50.5	706112
DN040	41.0 x 1.5	41.0	38.0	48.0	Ø 64.0	706113
DN050	53.0 x 1.5	53.0	50.0	49.0	Ø 77.5	706114
DN065	70.0 x 2.0	70.0	66.0	53.0	Ø 91.0	706115
DN080	85.0 x 2.0	85.0	81.0	57.0	Ø 106.0	706116
DN100	104.0 x 2.0	104.0	100.0	60.0	Ø 130.0	706117
DN125*	129.0 x 2.0	129.0	125.0	60.0	Ø 155.0	710629
DN150*	154.0 x 2.0	154.0	150.0	60.0	Ø 183.0	710630
DN200*	204.0 x 2.0	204.0	200.0	60.0	Ø 233.5	710631

ISO	Abmessung dimension	A	B	C	E	MB 1.4404
DN008	13.5 x 1.6	13.5	10.3	44.0	Ø 34.0	706546
DN010	17.2 x 1.6	17.2	14.0	44.0	Ø 34.0	706548
DN015	21.3 x 1.6	21.3	18.1	44.0	Ø 34.0	706550
DN020	26.9 x 1.6	26.9	23.7	44.0	Ø 50.5	706552
DN025	33.7 x 2.0	33.7	29.7	48.0	Ø 50.5	706554
DN032	42.4 x 2.0	42.4	38.4	48.0	Ø 64.0	706556
DN040	48.3 x 2.0	48.3	44.3	50.0	Ø 64.0	706558
DN050	60.3 x 2.0	60.3	56.3	54.0	Ø 91.0	706560
DN065	76.1 x 2.0	76.1	72.1	57.0	Ø 106.0	706562
DN080	88.9 x 2.3	88.9	84.3	62.0	Ø 119.0	706564
DN100*	114.3 x 2.3	114.3	109.7	62.0	Ø 144.4	706566

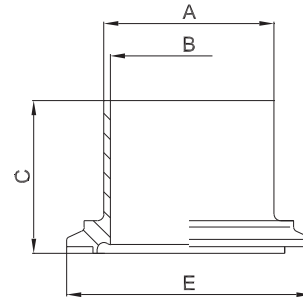
ASME BPE	Abmessung dimension	A	B	C	E	MB 1.4404
DN 1/2"	12.7 x 1.65	12.7	9.4	44.0	Ø 34.0	710632
DN 3/4"	19.05 x 1.65	19.05	15.75	44.0	Ø 34.0	710633
DN 1"	25.4 x 1.65	25.4	22.1	44.0	Ø 50.5	710634
DN 1 1/2"	38.1 x 1.65	38.1	34.8	48.0	Ø 64.0	710635
DN 2"	50.8 x 1.65	50.8	47.5	49.0	Ø 77.5	710636
DN 2 1/2"	63.5 x 1.65	63.5	60.2	55.0	Ø 91.0	710637
DN 3"	76.2 x 1.65	76.2	72.9	57.0	Ø 106.0	710638
DN 4"	101.6 x 2.11	101.6	97.38	59.0	Ø 130.0	710639

\*) nicht in der DIN-Norm enthalten | non-standard



## 2.6.2 S Steril-Nutclampsutzen DIN 11864-3-A

aseptic clamp with groove



zusätzliche Oberflächenqualitäten analog Seite | additional surface qualities analog page 48

weitere Abmessungen auf Anfrage | further dimensions on request

DIN	Abmessung dimension	A	B	C	E	MB 1.4435	e-pol. 1.4435	MB 1.4404	e-pol. 1.4404
DN010*	12.0 x 1.0	12.0	10.0	39.5	Ø 34.0	706781	708260	XXX	XXX
DN010	13.0 x 1.5	13.0	10.0	39.5	Ø 34.0	704775	709067	706118	710362
DN015	19.0 x 1.5	19.0	16.0	39.5	Ø 34.0	704776	708253	706119	710363
DN020	23.0 x 1.5	23.0	20.0	39.5	Ø 50.5	704777	708256	706120	709314
DN025	29.0 x 1.5	29.0	26.0	40.0	Ø 50.5	704778	708255	705127	710364
DN032	35.0 x 1.5	35.0	32.0	45.5	Ø 50.5	704779	709068	706121	710365
DN040	41.0 x 1.5	41.0	38.0	45.5	Ø 64.0	704780	710353	706122	710366
DN050	53.0 x 1.5	53.0	50.0	46.0	Ø 77.5	704781	710354	706123	710367
DN065	70.0 x 2.0	70.0	66.0	58.0	Ø 91.0	704782	710355	706124	710368
DN080	85.0 x 2.0	85.0	81.0	60.0	Ø 106.0	704783	710356	706125	710369
DN100	104.0 x 2.0	104.0	100.0	61.5	Ø 130.0	704784	710357	706126	710370
DN125*	129.0 x 2.0	129.0	125.0	61.5	Ø 155.0	710351	710358	710360	710371
DN150*	154.0 x 2.0	154.0	150.0	61.5	Ø 183.0	710352	710359	710361	710372

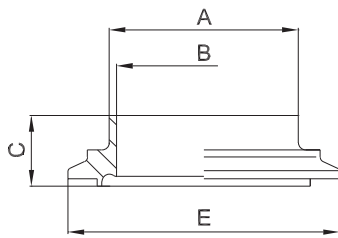
ISO	Abmessung dimension	A	B	C	E	MB 1.4435	e-pol. 1.4435	MB 1.4404	e-pol. 1.4404
DN008	13.5 x 1.6	13.5	10.3	39.5	Ø 34.0	704585	707552	706578	707563
DN010	17.2 x 1.6	17.2	14.0	39.5	Ø 34.0	704765	707553	706579	707564
DN015	21.3 x 1.6	21.3	18.1	40.5	Ø 34.0	704766	707554	706580	707565
DN020	26.9 x 1.6	26.9	23.7	40.5	Ø 50.5	704767	707555	706581	707566
DN025	33.7 x 2.0	33.7	29.7	45.5	Ø 50.5	704768	707556	706582	707567
DN032	42.4 x 2.0	42.4	38.4	45.5	Ø 64.0	704769	707557	706583	707568
DN040	48.3 x 2.0	48.3	44.3	46.5	Ø 64.0	704770	707558	706584	707569
DN050	60.3 x 2.0	60.3	56.3	58.5	Ø 91.0	704771	707559	706585	707570
DN065	76.1 x 2.0	76.1	72.1	60.0	Ø 106.0	704772	707560	706586	707571
DN080	88.9 x 2.3	88.9	84.3	62.5	Ø 119.0	704773	707561	706587	707572
DN100*	114.3 x 2.3	114.3	109.7	66.5	Ø 144.4	704774	707562	706588	707573
DN125*	139.7 x 2.6	139.7	134.5	61.5	Ø 155.0	710373	710376	710379	710382
DN150*	168.3 x 2.6	168.3	163.1	61.5	Ø 183.0	710374	710377	710380	710383
DN200*	219.1 x 2.6	219.1	213.9	61.5	Ø 233.5	710375	710378	710381	710384

ASME BPE	Abmessung dimension	A	B	C	E	MB 1.4435	e-pol. 1.4435	MB 1.4404	e-pol. 1.4404
DN 1/2"	12.7 x 1.65	12.7	9.4	39.5	Ø 34.0	704785	710385	710393	710401
DN 3/4"	19.05 x 1.65	19.05	15.75	39.5	Ø 34.0	704786	710386	710394	710402
DN 1"	25.4 x 1.65	25.4	22.1	40.0	Ø 50.5	704787	710387	710395	710403
DN 1 1/2"	38.1 x 1.65	38.1	34.8	45.5	Ø 64.0	704788	710388	710396	710404
DN 2"	50.8 x 1.65	50.8	47.5	46.0	Ø 77.5	704789	710389	710397	710405
DN 2 1/2"	63.5 x 1.65	63.5	60.2	59.0	Ø 91.0	704790	710390	710398	710406
DN 3"	76.2 x 1.65	76.2	72.9	60.0	Ø 106.0	704791	710391	710399	710407
DN 4"	101.6 x 2.11	101.6	97.38	61.0	Ø 130.0	704792	710392	710400	710408

\*) nicht in der DIN-Norm enthalten | non-standard



hygienic clamp with groove



weitere Abmessungen auf Anfrage | further dimensions on request

zusätzliche Oberflächenqualitäten analog Seite | additional surface qualities analog page 50

DIN	Abmessung dimension	A	B	C	E	MB 1.4404			
DN010	13.0 x 1.5	13.0	10.0	23.5	Ø 34.0	706127			
DN015	19.0 x 1.5	19.0	16.0	23.5	Ø 34.0	706128			
DN020	23.0 x 1.5	23.0	20.0	23.5	Ø 50.5	706129			
DN025	29.0 x 1.5	29.0	26.0	23.5	Ø 50.5	706130			
DN032	35.0 x 1.5	35.0	32.0	25.5	Ø 50.5	706131			
DN040	41.0 x 1.5	41.0	38.0	25.5	Ø 64.0	706132			
DN050	53.0 x 1.5	53.0	50.0	26.0	Ø 77.5	706133			
DN065	70.0 x 2.0	70.0	66.0	28.0	Ø 91.0	706134			
DN080	85.0 x 2.0	85.0	81.0	30.0	Ø 106.0	706135			
DN100	104.0 x 2.0	104.0	100.0	31.5	Ø 130.0	706136			
DN125*	129.0 x 2.0	129.0	125.0	31.5	Ø 155.0	710640			
DN150*	154.0 x 2.0	154.0	150.0	31.5	Ø 183.0	710641			
DN200*	204.0 x 2.0	204.0	200.0	31.5	Ø 233.5	709484			

ISO	Abmessung dimension	A	B	C	E	MB 1.4404			
DN008	13.5 x 1.6	13.5	10.3	23.5	Ø 34.0	706567			
DN010	17.2 x 1.6	17.2	14.0	23.5	Ø 34.0	706568			
DN015	21.3 x 1.6	21.3	18.1	23.5	Ø 34.0	706569			
DN020	26.9 x 1.6	26.9	23.7	23.5	Ø 50.5	706570			
DN025	33.7 x 2.0	33.7	29.7	25.5	Ø 50.5	706571			
DN032	42.4 x 2.0	42.4	38.4	25.5	Ø 64.0	706572			
DN040	48.3 x 2.0	48.3	44.3	26.5	Ø 64.0	706573			
DN050	60.3 x 2.0	60.3	56.3	28.5	Ø 91.0	706574			
DN065	76.1 x 2.0	76.1	72.1	30.0	Ø 106.0	706575			
DN080	88.9 x 2.3	88.9	84.3	32.5	Ø 119.0	706576			
DN100*	114.3 x 2.3	114.3	109.7	32.5	Ø 144.4	706577			

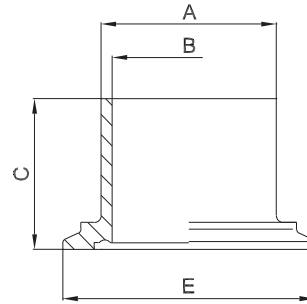
ASME BPE	Abmessung dimension	A	B	C	E	MB 1.4404			
DN 1/2"	12.7 x 1.65	12.7	9.4	23.5	Ø 34.0	710642			
DN 3/4"	19.05 x 1.65	19.05	15.75	23.5	Ø 34.0	710643			
DN 1"	25.4 x 1.65	25.4	22.1	23.5	Ø 50.5	710644			
DN 1 1/2"	38.1 x 1.65	38.1	34.8	25.5	Ø 64.0	710645			
DN 2"	50.8 x 1.65	50.8	47.5	26.0	Ø 77.5	710646			
DN 2 1/2"	63.5 x 1.65	63.5	60.2	29.0	Ø 91.0	710647			
DN 3"	76.2 x 1.65	76.2	72.9	30.0	Ø 106.0	710648			
DN 4"	101.6 x 2.11	101.6	97.38	31.0	Ø 130.0	710649			

\*) nicht in der DIN-Norm enthalten | non-standard



## 2.6.3 S Steril-Bundclampstutzen DIN 11864-3-A

aseptic clamp with collar



zusätzliche Oberflächenqualitäten analog Seite | additional surface qualities analog page 48

weitere Abmessungen auf Anfrage | further dimensions on request

DIN	Abmessung dimension	A	B	C	E		MB 1.4435	e-pol. 1.4435	MB 1.4404	e-pol. 1.4404
DN010*	12.0 x 1.0	12.0	10.0	38.0	Ø 34.0		706782	708259	XXX	XXX
DN010	13.0 x 1.5	13.0	10.0	38.0	Ø 34.0		704740	710411	706137	710421
DN015	19.0 x 1.5	19.0	16.0	38.0	Ø 34.0		704308	708254	706138	710422
DN020	23.0 x 1.5	23.0	20.0	38.0	Ø 50.5		704309	708258	706139	709313
DN025	29.0 x 1.5	29.0	26.0	38.5	Ø 50.5		704310	708257	706140	710423
DN032	35.0 x 1.5	35.0	32.0	44.0	Ø 50.5		704741	709066	706141	710424
DN040	41.0 x 1.5	41.0	38.0	44.0	Ø 64.0		704742	710412	706142	710425
DN050	53.0 x 1.5	53.0	50.0	44.5	Ø 77.5		704743	710413	706143	710426
DN065	70.0 x 2.0	70.0	66.0	56.5	Ø 91.0		704744	710414	706144	710427
DN080	85.0 x 2.0	85.0	81.0	58.5	Ø 106.0		704745	710415	706145	710428
DN100	104.0 x 2.0	104.0	100.0	60.0	Ø 130.0		704746	710416	706146	710429
DN125*	129.0 x 2.0	129.0	125.0	60.0	Ø 155.0		710409	710417	710419	710430
DN150*	154.0 x 2.0	154.0	150.0	60.0	Ø 183.0		710410	710418	710420	710431

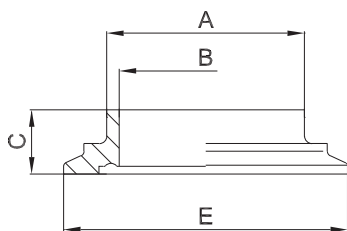
ISO	Abmessung dimension	A	B	C	E		MB 1.4435	e-pol. 1.4435	MB 1.4404	e-pol. 1.4404
DN008	13.5 x 1.6	13.5	10.3	38.0	Ø 34.0		704586	707585	706600	707596
DN010	17.2 x 1.6	17.2	14.0	38.0	Ø 34.0		704755	707586	706601	707597
DN015	21.3 x 1.6	21.3	18.1	39.0	Ø 34.0		704756	707587	706602	707598
DN020	26.9 x 1.6	26.9	23.7	39.0	Ø 50.5		704757	707588	706603	707599
DN025	33.7 x 2.0	33.7	29.7	44.0	Ø 50.5		704758	707589	706604	707600
DN032	42.4 x 2.0	42.4	38.4	44.0	Ø 64.0		704559	707590	706605	707601
DN040	48.3 x 2.0	48.3	44.3	45.0	Ø 64.0		704759	707591	706606	707602
DN050	60.3 x 2.0	60.3	56.3	57.0	Ø 91.0		704760	707592	706607	707603
DN065	76.1 x 2.0	76.1	72.1	58.5	Ø 106.0		704761	707593	706608	707604
DN080	88.9 x 2.3	88.9	84.3	61.0	Ø 119.0		704762	707594	706609	707605
DN100*	114.3 x 2.3	114.3	109.7	65.0	Ø 144.4		704763	707595	706610	707606
DN125*	139.7 x 2.6	139.7	134.5	60.0	Ø 155.0		710432	710435	710438	710441
DN150*	168.3 x 2.6	168.3	163.1	60.0	Ø 183.0		710433	710436	710439	710442
DN200*	219.1 x 2.6	219.1	213.9	60.0	Ø 233.5		710434	710437	710440	710443

ASME BPE	Abmessung dimension	A	B	C	E		MB 1.4435	e-pol. 1.4435	MB 1.4404	e-pol. 1.4404
DN 1/2"	12.7 x 1.65	12.7	9.4	38.0	Ø 34.0		704747	710444	710452	710459
DN 3/4"	19.05 x 1.65	19.05	15.75	38.0	Ø 34.0		704748	710445	710453	710460
DN 1"	25.4 x 1.65	25.4	22.1	38.5	Ø 50.5		704749	710446	710454	710461
DN 1 1/2"	38.1 x 1.65	38.1	34.8	44.0	Ø 64.0		704750	710447	710455	710462
DN 2"	50.8 x 1.65	50.8	47.5	44.5	Ø 77.5		704751	710448	710456	710463
DN 2 1/2"	63.5 x 1.65	63.5	60.2	57.5	Ø 91.0		704752	710449	709455	710464
DN 3"	76.2 x 1.65	76.2	72.9	58.5	Ø 106.0		704753	710450	710457	710465
DN 4"	101.6 x 2.11	101.6	97.38	59.5	Ø 130.0		704754	710451	710458	710466

\*) nicht in der DIN-Norm enthalten | non-standard



hygienic clamp with collar



zusätzliche Oberflächenqualitäten analog Seite | additional surface qualities analog page 50

weitere Abmessungen auf Anfrage | further dimensions on request

DIN	Abmessung dimension	A	B	C	E		MB 1.4404			
DN010	13.0 x 1.5	13.0	10.0	22.0	Ø 34.0		706147			
DN015	19.0 x 1.5	19.0	16.0	22.0	Ø 34.0		706148			
DN020	23.0 x 1.5	23.0	20.0	22.0	Ø 50.5		706149			
DN025	29.0 x 1.5	29.0	26.0	22.0	Ø 50.5		706150			
DN032	35.0 x 1.5	35.0	32.0	24.0	Ø 50.5		706151			
DN040	41.0 x 1.5	41.0	38.0	24.0	Ø 64.0		706152			
DN050	53.0 x 1.5	53.0	50.0	24.5	Ø 77.5		706153			
DN065	70.0 x 2.0	70.0	66.0	26.5	Ø 91.0		706154			
DN080	85.0 x 2.0	85.0	81.0	28.5	Ø 106.0		706155			
DN100	104.0 x 2.0	104.0	100.0	30.0	Ø 130.0		706156			
DN125*	129.0 x 2.0	129.0	125.0	30.0	Ø 155.0		710651			
DN150*	154.0 x 2.0	154.0	150.0	30.0	Ø 183.0		710652			
DN200*	204.0 x 2.0	204.0	200.0	30.0	Ø 233.5		709485			

ISO	Abmessung dimension	A	B	C	E		MB 1.4404			
DN008	13.5 x 1.6	13.5	10.3	22.0	Ø 34.0		706589			
DN010	17.2 x 1.6	17.2	14.0	22.0	Ø 34.0		706590			
DN015	21.3 x 1.6	21.3	18.1	22.0	Ø 34.0		706591			
DN020	26.9 x 1.6	26.9	23.7	22.0	Ø 50.5		706592			
DN025	33.7 x 2.0	33.7	29.7	24.0	Ø 50.5		706593			
DN032	42.4 x 2.0	42.4	38.4	24.0	Ø 64.0		706594			
DN040	48.3 x 2.0	48.3	44.3	25.0	Ø 64.0		706595			
DN050	60.3 x 2.0	60.3	56.3	27.0	Ø 91.0		706596			
DN065	76.1 x 2.0	76.1	72.1	28.5	Ø 106.0		706597			
DN080	88.9 x 2.3	88.9	84.3	31.0	Ø 119.0		706598			
DN100*	114.3 x 2.3	114.3	109.7	31.0	Ø 144.4		706599			

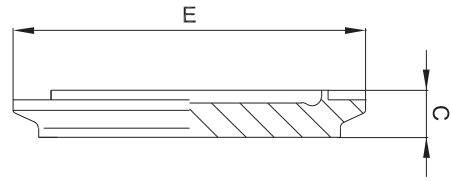
ASME BPE	Abmessung dimension	A	B	C	E		MB 1.4404			
DN 1/2"	12.7 x 1.65	12.7	9.4	22.0	Ø 34.0		710653			
DN 3/4"	19.05 x 1.65	19.05	15.75	22.0	Ø 34.0		710654			
DN 1"	25.4 x 1.65	25.4	22.1	22.0	Ø 50.5		710655			
DN 1 1/2"	38.1 x 1.65	38.1	34.8	24.0	Ø 64.0		710656			
DN 2"	50.8 x 1.65	50.8	47.5	24.5	Ø 77.5		710657			
DN 2 1/2"	63.5 x 1.65	63.5	60.2	27.5	Ø 91.0		710658			
DN 3"	76.2 x 1.65	76.2	72.9	28.5	Ø 106.0		710659			
DN 4"	101.6 x 2.11	101.6	97.38	29.5	Ø 130.0		710660			

\*) nicht in der DIN-Norm enthalten | non-standard



## 2.6.4 Blindnutclampsutzen DIN 11864-3-A/DIN 11853-3

blind clamp with groove



zusätzliche Oberflächenqualitäten analog Seite | additional surface qualities analog page 48

weitere Abmessungen auf Anfrage | further dimensions on request

DIN	Abmessung dimension	C	E				MB 1.4435	e-pol. 1.4435	MB 1.4404	e-pol. 1.4404
DN010	13.0 x 1.5	13.0	Ø 34.0				704853	710472	706157	710486
DN015	19.0 x 1.5	13.0	Ø 34.0				704854	710473	706158	710487
DN020	23.0 x 1.5	13.0	Ø 50.5				704855	710474	706159	710488
DN025	29.0 x 1.5	13.0	Ø 50.5				704856	710475	706160	710489
DN032	35.0 x 1.5	13.0	Ø 50.5				704857	710476	706161	710490
DN040	41.0 x 1.5	13.0	Ø 64.0				704858	710477	706162	710491
DN050	53.0 x 1.5	15.0	Ø 77.5				704859	710478	706163	710492
DN065	70.0 x 2.0	15.0	Ø 91.0				704860	710479	706164	710493
DN080	85.0 x 2.0	15.0	Ø 106.0				704861	710480	706165	710494
DN100	104.0 x 2.0	15.0	Ø 130.0				704862	710481	706166	710495
DN125*	129.0 x 2.0	17.0	Ø 155.0				710470	710482	710484	710496
DN150*	154.0 x 2.0	17.0	Ø 183.0				710471	710483	710485	710497

ISO	Abmessung dimension	C	E				MB 1.4435	e-pol. 1.4435	MB 1.4404	e-pol. 1.4404
DN008	13.5 x 1.6	13.0	Ø 34.0				704871	709071	706665	710507
DN010	17.2 x 1.6	13.0	Ø 34.0				704872	709937	706666	710508
DN015	21.3 x 1.6	13.0	Ø 34.0				704873	710045	706667	710509
DN020	26.9 x 1.6	13.0	Ø 50.5				704874	710046	706668	710510
DN025	33.7 x 2.0	13.0	Ø 50.5				704875	710047	706512	709938
DN032	42.4 x 2.0	13.0	Ø 64.0				704876	710048	706669	710511
DN040	48.3 x 2.0	13.0	Ø 64.0				704877	710049	706670	710512
DN050	60.3 x 2.0	15.0	Ø 91.0				704878	710050	706671	710513
DN065	76.1 x 2.0	15.0	Ø 106.0				704879	710051	706672	710514
DN080	88.9 x 2.3	15.0	Ø 119.0				704880	710052	706673	710515
DN100*	114.3 x 2.3	15.0	Ø 144.4				704881	710053	706674	710516
DN125*	139.7 x 2.6	17.0	Ø 155.0				710498	710501	710504	710517
DN150*	168.3 x 2.6	17.0	Ø 183.0				710499	710502	710505	710518
DN200*	219.1 x 2.6	17.0	Ø 233.5				710500	710503	710506	710519

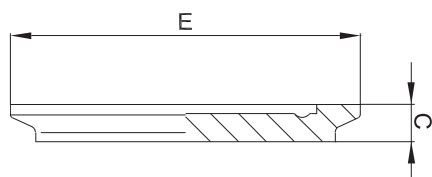
ASME BPE	Abmessung dimension	C	E				MB 1.4435	e-pol. 1.4435	MB 1.4404	e-pol. 1.4404
DN 1/2"	12.7 x 1.65	13.0	Ø 34.0				704863	710520	709690	710528
DN 3/4"	19.05 x 1.65	13.0	Ø 34.0				704864	710521	709691	710529
DN 1"	25.4 x 1.65	13.0	Ø 50.5				704865	710522	709692	710530
DN 1 1/2"	38.1 x 1.65	13.0	Ø 64.0				704866	710523	709693	710531
DN 2"	50.8 x 1.65	15.0	Ø 77.5				704867	710524	709694	710532
DN 2 1/2"	63.5 x 1.65	15.0	Ø 91.0				704868	710525	709695	710533
DN 3"	76.2 x 1.65	15.0	Ø 106.0				704869	710526	709696	710534
DN 4"	101.6 x 2.11	15.0	Ø 130.0				704870	710527	709697	710535

\*) nicht in der DIN-Norm enthalten | non-standard



## 2.6.5 Blindbundclampstutzen DIN 11864-3-A/DIN 11853-3

blind clamp with collar



weitere Abmessungen auf Anfrage | further dimensions on request

zusätzliche Oberflächenqualitäten analog Seite | additional surface qualities analog page 48

DIN	Abmessung dimension	C	E				MB 1.4435	e-pol. 1.4435	MB 1.4404	e-pol. 1.4404
DN010	13.0 x 1.5	11.5	Ø 34.0				704795	709063	706167	710550
DN015	19.0 x 1.5	11.5	Ø 34.0				704796	710538	706168	710551
DN020	23.0 x 1.5	11.5	Ø 50.5				704797	710539	706169	710552
DN025	29.0 x 1.5	11.5	Ø 50.5				704798	709064	706170	710553
DN032	35.0 x 1.5	11.5	Ø 50.5				704799	710540	706171	710554
DN040	41.0 x 1.5	11.5	Ø 64.0				704800	710541	706172	710555
DN050	53.0 x 1.5	13.5	Ø 77.5				704801	710542	706173	710556
DN065	70.0 x 2.0	13.5	Ø 91.0				704802	710543	706174	710557
DN080	85.0 x 2.0	13.5	Ø 106.0				704803	710544	706175	710558
DN100	104.0 x 2.0	13.5	Ø 130.0				704804	710545	706176	710559
DN125*	129.0 x 2.0	15.5	Ø 155.0				710536	710546	710548	710560
DN150*	154.0 x 2.0	15.5	Ø 183.0				710537	710547	710549	710561

ISO	Abmessung dimension	C	E				MB 1.4435	e-pol. 1.4435	MB 1.4404	e-pol. 1.4404
DN008	13.5 x 1.6	11.5	Ø 34.0				704813	709116	706654	710599
DN010	17.2 x 1.6	11.5	Ø 34.0				704814	709431	706655	710600
DN015	21.3 x 1.6	11.5	Ø 34.0				704815	710585	706656	710601
DN020	26.9 x 1.6	11.5	Ø 50.5				704816	710586	706657	710602
DN025	33.7 x 2.0	11.5	Ø 50.5				704817	709065	706658	710603
DN032	42.4 x 2.0	11.5	Ø 64.0				704818	710587	706659	710604
DN040	48.3 x 2.0	11.5	Ø 64.0				704819	710588	706660	710605
DN050	60.3 x 2.0	13.5	Ø 91.0				704820	710589	706661	710606
DN065	76.1 x 2.0	13.5	Ø 106.0				704821	710590	706662	710607
DN080	88.9 x 2.3	13.5	Ø 119.0				704822	710591	706663	710608
DN100*	114.3 x 2.3	13.5	Ø 144.4				704823	710592	706664	710609
DN125*	139.7 x 2.6	15.5	Ø 155.0				710582	710593	710596	710610
DN150*	168.3 x 2.6	15.5	Ø 183.0				710583	710594	710597	710611
DN200*	219.1 x 2.6	15.5	Ø 233.5				710584	710595	710598	710612

ASME BPE	Abmessung dimension	C	E				MB 1.4435	e-pol. 1.4435	MB 1.4404	e-pol. 1.4404
DN 1/2"	12.7 x 1.65	11.5	Ø 34.0				704805	710613	709698	710621
DN 3/4"	19.05 x 1.65	11.5	Ø 34.0				704806	710614	709699	710622
DN 1"	25.4 x 1.65	11.5	Ø 50.5				704807	710615	709700	710623
DN 1 1/2"	38.1 x 1.65	11.5	Ø 64.0				704808	710616	709701	710624
DN 2"	50.8 x 1.65	13.5	Ø 77.5				704809	710617	709702	710625
DN 2 1/2"	63.5 x 1.65	13.5	Ø 91.0				704810	710618	709703	710626
DN 3"	76.2 x 1.65	13.5	Ø 106.0				704811	710619	709704	710627
DN 4"	101.6 x 2.11	13.5	Ø 130.0				704812	710620	709705	710628

\*) nicht in der DIN-Norm enthalten | non-standard