

Legende

- A Außendurchmesser
- B Innendurchmesser
- C Gesamtlänge
- E (Clamp-) Flansch-Außendurchmesser

Abmessungen

- DIN 11866-A (DIN 11850)
- DIN 11866-B (EN ISO 1127)
- DIN 11866-C (ASME BPE)

Normative Verweisungen, Anforderungen / Abnahmen (Vormaterial)

- DIN 32676
- BN2 (gültig für Bauteile in 1.4435)
- EN 10088-1/-3
- EN 10204
- EN 10222-5 (Rohlinge)
- EN 10254 (Rohlinge)
- EN 10272
- ASTM A276
- ASTM A182/A182M / ASME SA182/SA182M
- ASTM A479/A479M / ASME SA479/SA479M
- ASME SA336 (Rohlinge)
- AD 2000-W2

Kennzeichnung

Hersteller, Werkstoff, Abmessung, Schmelze, DIN 32676

Toleranzen (Bezugsnorm)

DIN 32676 / ISO 2768-1

Verpackung

Schweißenden mit Kunststoffkappen verschlossen, einzeln verpackt.

Werkstoffe

- 1.4435 / 1.4404 (mediumberührt)
- 1.4301/08 (nicht mediumberührt)
- EPDM (Standard)

weitere Werkstoffe auf Anfrage

Oberflächenbeschaffenheit ("MB")

innen: feinstgedreht, Ra < 0.8 µm
 außen: feingedreht, Ra < 1.6 µm

Key

- external diameter
- internal diameter
- total length
- outer (clamp) flange diameter

Dimensions

- DIN 11866-A (DIN 11850)
- DIN 11866-B (EN ISO 1127)
- DIN 11866-C (ASME BPE)

Normative References, Requirements / Approvals (raw material)

- DIN 32676
- BN2 (valid for components in 1.4435)
- EN 10088-1/-3
- EN 10204
- EN 10222-5 (forgings)
- EN 10254 (forgings)
- EN 10272
- ASTM A276
- ASTM A182/A182M / ASME SA182/SA182M
- ASTM A479/A479M / ASME SA479/SA479M
- ASME SA336 (forgings)
- AD 2000-W2

Marking

manufacturer, material, dimension, heat, DIN 32676

Tolerances (reference standard)

DIN 32676 / ISO 2768-1

Packaging

Welding ends covered with plastic caps, wrapped separately.

Materials

- 316L (at medium contact surface)
- 304 (not at medium contact surface)
- EPDM (standard)

further materials on request

Surface condition ("MB")

inside: ultra-fine turned, Ra < 0.8 µm
 outside: refined turned, Ra < 1.6 µm



Oberflächenqualitäten | surface qualities

Innenoberfläche internal surface finish	(Zusatz-) Artikel-Nr. (additional) order No
e-poliert e-polished	999277
Ra < 0.6 µm (STERI-line®)	999279
Ra < 0.5 µm (STERI-line®)	999280
Ra < 0.4 µm (HQ-line®)	999281
Ra < 0.25 µm (HQ-line®)	999283

Bestellbeispiel | ordering example

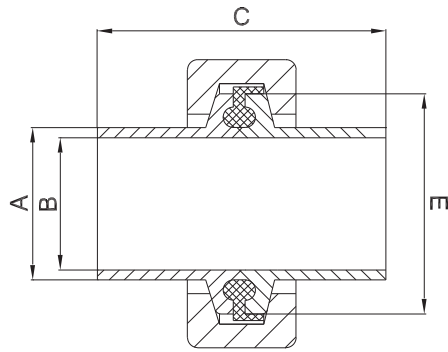
Artikelbezeichnung + Ausführungen article description + variants	Artikel-Nr. order No
Clampverbindung DN025 ISO (1.4404, EPDM) clamp connection -long type- DIN 32676	711979
e-poliert e-polished	+ 999277
Ra < 0.4 µm	+ 999281



Zubehör ab Seite 78 | accessories from page 78 on



2.7.1 Clampverbindung DIN 32676



weitere Abmessungen auf Anfrage | further dimensions on request

DIN	Abmessung dimension	A	B	C	MB 1.4435	e-pol. 1.4435	E	C	MB 1.4404	C	MB 1.4404
DN004*	6.0 x 1.0	6.0	4.0	57.2	708678	708935	Ø 25.0	XXX	XXX	XXX	XXX
DN004*	6.0 x 1.0	6.0	4.0	58.9	708679	708936	Ø 34.0	XXX	XXX	XXX	XXX
DN006	8.0 x 1.0	8.0	6.0	57.2	707278	708937	Ø 25.0	57.2	**	25.4	**
DN006*	8.0 x 1.0	8.0	6.0	58.9	707280	708938	Ø 34.0	XXX	XXX	XXX	XXX
DN008	10.0 x 1.0	10.0	8.0	57.2	707282	708939	Ø 25.0	57.2	**	25.4	**
DN008*	10.0 x 1.0	10.0	8.0	58.9	707284	708940	Ø 34.0	XXX	XXX	XXX	XXX
DN010*	12.0 x 1.0	12.0	10.0	57.2	707290	708941	Ø 25.0	XXX	XXX	XXX	XXX
DN010*	12.0 x 1.0	12.0	10.0	71.7	705667	708942	Ø 34.0	58.9	711946	37.7	705965
DN010*	12.0 x 1.0	12.0	10.0	73.7	711947	711948	Ø 50.5	XXX	XXX	XXX	XXX
DN010*	13.0 x 1.5	13.0	10.0	57.2	711949	711950	Ø 25.0	XXX	XXX	XXX	XXX
DN010	13.0 x 1.5	13.0	10.0	58.9	700931	708943	Ø 34.0	58.9	711573	37.7	705966
DN010*	13.0 x 1.5	13.0	10.0	73.7	711951	711952	Ø 50.5	XXX	XXX	XXX	XXX
DN015*	19.0 x 1.5	19.0	16.0	57.2	711953	711954	Ø 25.0	XXX	XXX	XXX	XXX
DN015	19.0 x 1.5	19.0	16.0	58.9	700932	708944	Ø 34.0	58.9	709079	37.7	705967
DN015*	19.0 x 1.5	19.0	16.0	73.7	707291	708945	Ø 50.5	XXX	XXX	XXX	XXX
DN020	23.0 x 1.5	23.0	20.0	58.9	700933	708946	Ø 34.0	58.9	711574	37.7	705968
DN020*	23.0 x 1.5	23.0	20.0	73.7	711955	711956	Ø 50.5	XXX	XXX	XXX	XXX
DN025	29.0 x 1.5	29.0	26.0	73.7	700934	708947	Ø 50.5	58.9*	709080	44.7	705969
DN032	35.0 x 1.5	35.0	32.0	73.7	700935	708948	Ø 50.5	58.9*	711957	44.7	705970
DN040	41.0 x 1.5	41.0	38.0	73.7	700936	708949	Ø 50.5	58.9*	711426	44.7	705971
DN050	53.0 x 1.5	53.0	50.0	73.7	700937	708950	Ø 64.0	58.9*	711427	44.7	705972
DN065	70.0 x 2.0	70.0	66.0	97.7	700938	708951	Ø 91.0	97.7	**	57.7	705973
DN080	85.0 x 2.0	85.0	81.0	97.7	700939	708952	Ø 106.0	97.7	**	57.7	705974
DN100	104.0 x 2.0	104.0	100.0	97.7	700940	708953	Ø 119.0	97.7	**	57.7	705975
DN125	129.0 x 2.0	129.0	125.0	133.7	706082	711958	Ø 155.0	133.7	**	57.7	706085
DN150	154.0 x 2.0	154.0	150.0	133.7	706083	711959	Ø 183.0	133.7	**	57.7	706086
DN200	204.0 x 2.0	204.0	200.0	133.7	706084	711960	Ø 233.5	133.7	**	57.7	706087

*) nicht in der DIN-Norm enthalten | non-standard

***) auf Anfrage | on request

ISO	Abmessung dimension	A	B	C	MB 1.4435	e-pol. 1.4435	E	C	MB 1.4404	C	MB 1.4404
DN008	13.5 x 1.6	13.5	10.3	57.2	707286	708954	Ø 25.0	57.2	711971	25.4	711990
DN008*	13.5 x 1.6	13.5	10.3	58.9	705487	708955	Ø 34.0	58.9	711972	37.7	705976
DN008*	13.5 x 1.6	13.5	10.3	73.7	711961	711962	Ø 50.5	XXX	XXX	XXX	XXX
DN010	17.2 x 1.6	17.2	14.0	57.2	707287	708956	Ø 25.0	57.2	711973	25.4	711991
DN010*	17.2 x 1.6	17.2	14.0	58.9	702431	708957	Ø 34.0	58.9	711974	37.7	705977
DN010*	17.2 x 1.6	17.2	14.0	73.7	711963	711964	Ø 50.5	58.9	711975	37.7	711992
DN015*	21.3 x 1.6	21.3	18.1	58.9	702439	708958	Ø 34.0	58.9	711976	37.7	705978
DN015	21.3 x 1.6	21.3	18.1	73.7	707288	708959	Ø 50.5	58.9*	711977	44.7	711993
DN020	26.9 x 1.6	26.9	23.7	73.7	702438	708960	Ø 50.5	58.9*	711978	44.7	705979
DN025	33.7 x 2.0	33.7	29.7	73.7	702437	708961	Ø 50.5	58.9*	711979	44.7	705980
DN032*	42.4 x 2.0	42.4	38.4	73.7	702436	708962	Ø 50.5	58.9	711980	44.7	705981
DN032	42.4 x 2.0	42.4	38.4	73.7	707289	708963	Ø 64.0	58.9*	711981	44.7	711994



2.7.1 Clampverbindung DIN 32676

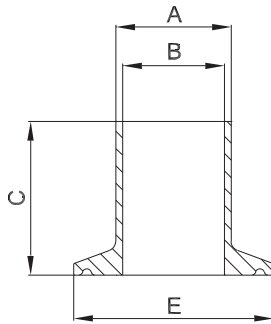
zusätzliche Oberflächenqualitäten analog Seite | additional surface qualities analog page 58

clamp connection

ISO	Abmessung dimension	A	B	C	MB 1.4435	e-pol. 1.4435	E	C	MB 1.4404	C	MB 1.4404
DN040	48.3 x 2.0	48.3	44.3	73.7	702435	708964	Ø 64.0	58.9*	711982	44.7	705982
DN050	60.3 x 2.0	60.3	56.3	73.7	702434	708965	Ø 77.5	73.7	711983	57.7	705983
DN065	76.1 x 2.0	76.1	72.1	97.7	702433	708966	Ø 91.0	97.7	711984	57.7	705984
DN080	88.9 x 2.3	88.9	84.3	97.7	702432	708967	Ø 106.0	97.7	711985	57.7	705985
DN100	114.3 x 2.3	114.3	109.7	97.7	702440	708968	Ø 130.0	97.7	711986	57.7	705986
DN125	139.7 x 2.6	139.7	134.5	133.7	711965	711966	Ø 155.0	133.7	711987	57.7	712118
DN150	168.3 x 2.6	168.3	163.1	133.7	711967	711968	Ø 183.0	133.7	711988	57.7	711995
DN200	219.1 x 2.6	219.1	213.9	133.7	711969	711970	Ø 233.5	133.7	711989	57.7	711996

ASME BPE	Abmessung dimension	A	B	C	MB 1.4435	e-pol. 1.4435	E	C	MB 1.4404	C	MB 1.4404
DN ¼"	6.35 x 0.89	6.35	4.57	57.2	711997	712000	Ø 25.0	57.2	712011	25.4	712017
DN ⅜"	9.53 x 0.89	9.53	7.75	57.2	711998	712001	Ø 25.0	57.2	712012	25.4	712018
DN ½"	12.7 x 1.65	12.7	9.4	57.2	703987	712002	Ø 25.0	57.2	707294	25.4	705987
DN ¾"	19.05 x 1.65	19.05	15.75	57.2	703988	712003	Ø 25.0	57.2	707295	25.4	705988
DN 1"	25.4 x 1.65	25.4	22.1	73.7	703989	712004	Ø 50.5	58.9*	707296	44.7	705989
DN 1½"	38.1 x 1.65	38.1	34.8	73.7	703990	712005	Ø 50.5	58.9*	707297	44.7	705990
DN 2"	50.8 x 1.65	50.8	47.5	73.7	703991	712006	Ø 64.0	73.7	707298	57.7*	705991
DN 2½"	63.5 x 1.65	63.5	60.2	73.7	703992	712007	Ø 77.5	73.7	712013	57.7	705992
DN 3"	76.2 x 1.65	76.2	72.9	97.7	705489	712008	Ø 91.0	97.7	712014	57.7	705993
DN 4"	101.6 x 2.11	101.6	97.38	97.7	705490	712009	Ø 119.0	97.7	712015	57.7	705994
DN 6"	152.4 x 2.77	152.4	146.86	133.7	711999	712010	Ø 167.0	133.7	712016	39.9*	712019

*) nicht in der DIN-Norm enthalten | non-standard



weitere Abmessungen auf Anfrage | further dimensions on request

zusätzliche Oberflächenqualitäten analog Seite | additional surface qualities analog page 58

DIN	Abmessung dimension	A	B	C	MB 1.4435	e-pol. 1.4435	E	C	MB 1.4404	C	MB 1.4404
DN004*	6.0 x 1.0	6.0	4.0	28.6	708103	710952	Ø 25.0	XXX	XXX	XXX	XXX
DN004*	6.0 x 1.0	6.0	4.0	28.6	704208	710953	Ø 34.0	XXX	XXX	XXX	XXX
DN006	8.0 x 1.0	8.0	6.0	28.6	706001	710954	Ø 25.0	28.6	**	12.7	**
DN006*	8.0 x 1.0	8.0	6.0	28.6	703087	710955	Ø 34.0	XXX	XXX	XXX	XXX
DN008	10.0 x 1.0	10.0	8.0	28.6	703248	710956	Ø 25.0	28.6	**	12.7	**
DN008*	10.0 x 1.0	10.0	8.0	28.6	702970	710957	Ø 34.0	XXX	XXX	XXX	XXX
DN010*	12.0 x 1.0	12.0	10.0	28.6	706740	708997	Ø 25.0	XXX	XXX	XXX	XXX
DN010*	12.0 x 1.0	12.0	10.0	35.0	701776	707211	Ø 34.0	28.6	706479	18.0	700871
DN010*	12.0 x 1.0	12.0	10.0	36.0	702476	710958	Ø 50.5	XXX	XXX	XXX	XXX
DN010*	13.0 x 1.5	13.0	10.0	28.6	707990	707991	Ø 25.0	XXX	XXX	XXX	XXX
DN010	13.0 x 1.5	13.0	10.0	28.6	703938	707549	Ø 34.0	28.6	706480	18.0	705455
DN010*	13.0 x 1.5	13.0	10.0	36.0	703888	709283	Ø 50.5	XXX	XXX	XXX	XXX
DN015*	19.0 x 1.5	19.0	16.0	28.6	708930	708931	Ø 25.0	XXX	XXX	XXX	XXX
DN015	19.0 x 1.5	19.0	16.0	28.6	702457	707213	Ø 34.0	28.6	706481	18.0	700872
DN015*	19.0 x 1.5	19.0	16.0	36.0	701593	709179	Ø 50.5	XXX	XXX	XXX	XXX
DN020	23.0 x 1.5	23.0	20.0	28.6	702458	708723	Ø 34.0	28.6	706482	18.0	700873
DN020*	23.0 x 1.5	23.0	20.0	36.0	701594	710959	Ø 50.5	XXX	XXX	XXX	XXX
DN025	29.0 x 1.5	29.0	26.0	36.0	701786	707212	Ø 50.5	28.6*	706483	21.5	700874
DN032	35.0 x 1.5	35.0	32.0	36.0	700865	704084	Ø 50.5	28.6*	706484	21.5	700875
DN040	41.0 x 1.5	41.0	38.0	36.0	702477	708724	Ø 50.5	28.6*	706485	21.5	700876
DN050	53.0 x 1.5	53.0	50.0	36.0	700867	707214	Ø 64.0	28.6*	706486	21.5	700877
DN065	70.0 x 2.0	70.0	66.0	48.0	700868	709084	Ø 91.0	48.0	**	28.0	700878
DN080	85.0 x 2.0	85.0	81.0	48.0	700869	709085	Ø 106.0	48.0	**	28.0	700879
DN100	104.0 x 2.0	104.0	100.0	48.0	700870	710960	Ø 119.0	48.0	**	28.0	700880
DN125	129.0 x 2.0	129.0	125.0	66.0	706088	710961	Ø 155.0	66.0	**	28.0	703479
DN150	154.0 x 2.0	154.0	150.0	66.0	706089	710962	Ø 183.0	66.0	**	28.0	703553
DN200	204.0 x 2.0	204.0	200.0	66.0	706090	710963	Ø 233.5	66.0	**	28.0	704460

*) nicht in der DIN-Norm enthalten | non-standard

***) auf Anfrage | on request

ISO	Abmessung dimension	A	B	C	MB 1.4435	e-pol. 1.4435	E	C	MB 1.4404	C	MB 1.4404
DN008	13.5 x 1.6	13.5	10.3	28.6	707311	708244	Ø 25.0	28.6	706329	12.7	710966
DN008*	13.5 x 1.6	13.5	10.3	28.6	708793	709675	Ø 34.0	28.6	706488	18.0	703127
DN008*	13.5 x 1.6	13.5	10.3	36.0	702482	710967	Ø 50.5	XXX	XXX	XXX	XXX
DN010	17.2 x 1.6	17.2	14.0	28.6	707312	709473	Ø 25.0	28.6	706330	12.7	709454
DN010*	17.2 x 1.6	17.2	14.0	28.6	708794	710968	Ø 34.0	28.6	706489	18.0	700921
DN010*	17.2 x 1.6	17.2	14.0	36.0	702565	710969	Ø 50.5	28.6	701596	18.0	710970
DN015*	21.3 x 1.6	21.3	18.1	28.6	708795	710971	Ø 34.0	28.6	706490	18.0	700922
DN015	21.3 x 1.6	21.3	18.1	36.0	701597	708820	Ø 50.5	28.6*	706487	21.5	706333
DN020	26.9 x 1.6	26.9	23.7	36.0	700913	708069	Ø 50.5	28.6*	706491	21.5	700923
DN025	33.7 x 2.0	33.7	29.7	36.0	700914	708212	Ø 50.5	28.6*	706492	21.5	700924
DN032*	42.4 x 2.0	42.4	38.4	36.0	700915	708056	Ø 50.5	28.6	708725	21.5	700925
DN032	42.4 x 2.0	42.4	38.4	36.0	704266	709419	Ø 64.0	28.6*	706493	21.5	710972



2.7.2 Clampstutzen DIN 32676

zusätzliche Oberflächenqualitäten analog Seite | additional surface qualities analog page 58

TC/ferrule

ISO	Abmessung dimension	A	B	C	MB 1.4435	e-pol. 1.4435	E	C	MB 1.4404	C	MB 1.4404
DN040	48.3 x 2.0	48.3	44.3	36.0	702475	709045	Ø 64.0	28.6*	706494	21.5	700926
DN050	60.3 x 2.0	60.3	56.3	36.0	700917	709046	Ø 77.5	36.0	710973	28.0	700927
DN065	76.1 x 2.0	76.1	72.1	48.0	700918	709761	Ø 91.0	48.0	710983	28.0	700928
DN080	88.9 x 2.3	88.9	84.3	48.0	700919	710978	Ø 106.0	48.0	710984	28.0	700929
DN100	114.3 x 2.3	114.3	109.7	48.0	700920	710979	Ø 130.0	48.0	710985	28.0	700930
DN125	139.7 x 2.6	139.7	134.5	66.0	710974	710980	Ø 155.0	66.0	710986	28.0	710989
DN150	168.3 x 2.6	168.3	163.1	66.0	710975	710981	Ø 183.0	66.0	710987	28.0	710990
DN200	219.1 x 2.6	219.1	213.9	66.0	710976	710982	Ø 233.5	66.0	710988	28.0	709574

ASME BPE	Abmessung dimension	A	B	C	MB 1.4435	e-pol. 1.4435	E	C	MB 1.4404	C	MB 1.4404
DN ¼"	6.35 x 0.89	6.35	4.57	28.6	706038	710992	Ø 25.0	28.6	710998	12.7	711005
DN ⅜"	9.53 x 0.89	9.53	7.75	28.6	709487	710993	Ø 25.0	28.6	710999	12.7	711006
DN ½"	12.7 x 1.65	12.7	9.4	28.6	708291	709246	Ø 25.0	28.6	706676	12.7	706766
DN ¾"	19.05 x 1.65	19.05	15.75	28.6	708292	709150	Ø 25.0	28.6	708686	12.7	706767
DN 1"	25.4 x 1.65	25.4	22.1	36.0	703969	708043	Ø 50.5	28.6*	706677	21.5	701601
DN 1½"	38.1 x 1.65	38.1	34.8	36.0	702560	709081	Ø 50.5	28.6*	701602	21.5	704001
DN 2"	50.8 x 1.65	50.8	47.5	36.0	702561	709464	Ø 64.0	36.0	711000	28.0*	706678
DN 2½"	63.5 x 1.65	63.5	60.2	36.0	704258	710994	Ø 77.5	36.0	711001	28.0	704380
DN 3"	76.2 x 1.65	76.2	72.9	48.0	704537	710995	Ø 91.0	48.0	711002	28.0	704602
DN 4"	101.6 x 2.11	101.6	97.38	48.0	704538	710996	Ø 119.0	48.0	711003	28.0	704632
DN 6"	152.4 x 2.77	152.4	146.86	66.0	710991	710997	Ø 167.0	66.0	711004	19.1*	708885

*) nicht in der DIN-Norm enthalten | non-standard

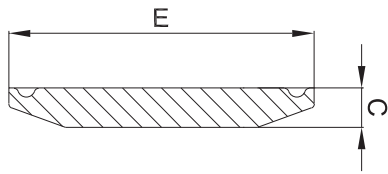


Weitere Varianten wie z.B. Clampstutzen mit Tülle, Clampadapter oder Clampstutzen mit Außen-, bzw. Innengewinde sind ab Lager lieferbar.

Further variants like clamp hose nozzles or (threaded) adapters are consignable from stock.



blind clamp



weitere Abmessungen auf Anfrage | further dimensions on request

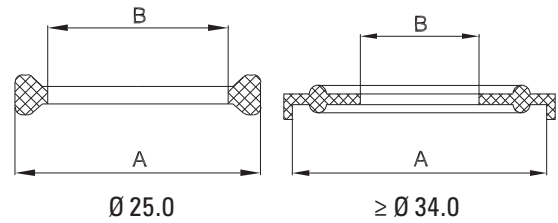
zusätzliche Oberflächenqualitäten analog Seite | additional surface qualities analog page 58

		C	E				MB 1.4435	e-pol. 1.4435	MB 1.4404	
		4.75	Ø 25.0				700896	709062	700881	
		6.35	Ø 34.0				700894	708218	700882	
		6.35	Ø 50.5				701499	708219	700884	
		6.35	Ø 64.0				701502	708220	700887	
		6.35	Ø 77.5				701501	711010	700886	
		6.35	Ø 91.0				701503	711011	700888	
		6.35	Ø 106.0				701505	711012	700889	
		8.0	Ø 119.0				700895	711013	700890	
		8.0	Ø 130.0				705488	711014	704925	
		8.0	Ø 144.4				711007	711015	706046	
		8.0	Ø 155.0				703549	711016	703550	
		14.0	Ø 167.0				708589	711017	711022	
		14.0	Ø 183.0				706091	711018	706093	
		14.0	Ø 233.5				706092	711019	706094	
		14.0	Ø 268.0				711008	711020	708616	
		14.0	Ø 319.0				711009	711021	711023	



2.7.4 Clampdichtung DIN 32676

TC/clamp gasket



DIN	Abmessung dimension	A	B	EPDM	FKM	VMQ	A	B	PTFE	FKM/PTFE **
DN004*	6.0 x 1.0	Ø 21.8	≥ 4.2	709706	711143	711157	Ø 21.8	≥ 4.0	709707	713187
DN004*	6.0 x 1.0	Ø 34.0	≥ 4.2	709284	711144	711158	Ø 34.0	≥ 4.0	711170	XXX
DN006	8.0 x 1.0	Ø 21.8	≥ 6.2	708280	711145	711159	Ø 21.8	≥ 6.0	708281	713188
DN006*	8.0 x 1.0	Ø 34.0	≥ 6.2	711121	711146	711160	Ø 34.0	≥ 6.0	711171	XXX
DN008	10.0 x 1.0	Ø 21.8	≥ 8.2	708282	711147	711161	Ø 21.8	≥ 8.0	708283	713189
DN008*	10.0 x 1.0	Ø 34.0	≥ 8.2	711122	711148	711162	Ø 34.0	≥ 8.0	706618	XXX
DN010*	12.0 x 1.0	Ø 21.8	≥ 10.2	709708	711149	711163	Ø 21.8	≥ 10.0	709709	711176
DN010*	12.0 x 1.0	Ø 34.0	≥ 10.2	700901	707228	706688	Ø 34.0	≥ 10.0	703006	705456
DN010*	12.0 x 1.0	Ø 50.5	≥ 10.2	700343	711150	711164	Ø 50.5	≥ 10.0	711172	705651
DN010*	13.0 x 1.5	Ø 21.8	≥ 10.2	709708	711149	711163	Ø 21.8	≥ 10.0	709709	711176
DN010	13.0 x 1.5	Ø 34.0	≥ 10.2	700901	707228	706688	Ø 34.0	≥ 10.0	703006	705456
DN010*	13.0 x 1.5	Ø 50.5	≥ 10.2	700343	711150	711164	Ø 50.5	≥ 10.0	711172	705651
DN015*	19.0 x 1.5	Ø 21.8	≥ 16.2	709411	711151	711165	Ø 21.8	≥ 16.0	711173	711094
DN015	19.0 x 1.5	Ø 34.0	≥ 16.2	700902	707229	706689	Ø 34.0	≥ 16.0	703533	705457
DN015*	19.0 x 1.5	Ø 50.5	≥ 16.2	700359	711152	711166	Ø 50.5	≥ 16.0	704387	712732
DN020	23.0 x 1.5	Ø 34.0	≥ 20.2	700903	707230	706690	Ø 34.0	≥ 20.0	703826	705458
DN020*	23.0 x 1.5	Ø 50.5	≥ 20.2	703570	711153	711167	Ø 50.5	≥ 20.0	700363	712733
DN025	29.0 x 1.5	Ø 50.5	≥ 26.2	700904	707231	706691	Ø 50.5	≥ 26.0	703530	705459
DN032	35.0 x 1.5	Ø 50.5	≥ 32.2	700905	707232	706692	Ø 50.5	≥ 32.0	703827	705460
DN040	41.0 x 1.5	Ø 50.5	≥ 38.2	700906	707233	706693	Ø 50.5	≥ 38.0	703825	705461
DN050	53.0 x 1.5	Ø 64.0	≥ 50.2	700907	707234	706694	Ø 64.0	≥ 50.0	703828	705462
DN065	70.0 x 2.0	Ø 91.0	≥ 66.2	700908	707235	706695	Ø 91.0	≥ 66.0	703830	705463
DN080	85.0 x 2.0	Ø 106.0	≥ 81.2	700909	707236	706696	Ø 106.0	≥ 81.0	703831	705464
DN100	104.0 x 2.0	Ø 119.0	≥ 100.2	700910	702934	706697	Ø 119.0	≥ 100.0	704463	705465
DN125	129.0 x 2.0	Ø 155.0	≥ 125.2	703552	711154	711168	Ø 155.0	≥ 125.0	711174	706095
DN150	154.0 x 2.0	Ø 183.0	≥ 150.2	703541	711155	711169	Ø 183.0	≥ 150.0	706877	706096
DN200	204.0 x 2.0	Ø 233.5	≥ 200.2	703977	711156	710467	Ø 233.5	≥ 200.0	711175	706097

*) nicht in der DIN-Norm enthalten | non-standard

***) ummantelt | enveloped

ISO	Abmessung dimension	A	B	EPDM	FKM	VMQ	A	B	PTFE	FKM/PTFE **
DN008	13.5 x 1.6	Ø 21.8	≥ 10.5	706709	709316	709076	Ø 21.8	≥ 10.3	708911	706708
DN008*	13.5 x 1.6	Ø 34.0	≥ 10.5	701785	709317	706722	Ø 34.0	≥ 10.3	701797	705466
DN008*	13.5 x 1.6	Ø 50.5	≥ 10.5	702423	711178	711183	Ø 50.5	≥ 10.3	704436	711196
DN010	17.2 x 1.6	Ø 21.8	≥ 14.2	708211	709318	711184	Ø 21.8	≥ 14.0	708501	709710
DN010*	17.2 x 1.6	Ø 34.0	≥ 14.2	701787	709319	706723	Ø 34.0	≥ 14.0	701798	705467
DN010*	17.2 x 1.6	Ø 50.5	≥ 14.2	703038	711179	711185	Ø 50.5	≥ 14.0	706616	709934
DN015*	21.3 x 1.6	Ø 34.0	≥ 18.3	701788	709320	706724	Ø 34.0	≥ 18.1	701799	705468
DN015	21.3 x 1.6	Ø 50.5	≥ 18.3	702556	709321	711186	Ø 50.5	≥ 18.1	705694	710285
DN020	26.9 x 1.6	Ø 50.5	≥ 23.9	701789	709322	705697	Ø 50.5	≥ 23.7	701800	705469
DN025	33.7 x 2.0	Ø 50.5	≥ 29.9	701790	709323	706081	Ø 50.5	≥ 29.7	701801	705470
DN032*	42.4 x 2.0	Ø 50.5	≥ 38.6	701791	709324	706727	Ø 50.5	≥ 38.4	701802	705471
DN032	42.4 x 2.0	Ø 64.0	≥ 38.6	705616	709325	711187	Ø 64.0	≥ 38.4	706619	704354



ISO	Abmessung dimension	A	B	EPDM	FKM	VMQ	A	B	PTFE	FKM/PTFE **
DN040	48.3 x 2.0	Ø 64.0	≥ 44.5	701792	709326	706728	Ø 64.0	≥ 44.3	701803	705472
DN050	60.3 x 2.0	Ø 77.5	≥ 56.5	701793	704582	706729	Ø 77.5	≥ 56.3	701804	705473
DN065	76.1 x 2.0	Ø 91.0	≥ 72.3	701794	709328	711188	Ø 91.0	≥ 72.1	701805	705474
DN080	88.9 x 2.3	Ø 106.0	≥ 84.5	701795	709329	711189	Ø 106.0	≥ 84.3	701806	705475
DN100	114.3 x 2.3	Ø 130.0	≥ 109.9	701796	709330	711190	Ø 130.0	≥ 109.7	701807	705476
DN125	139.7 x 2.6	Ø 155.0	≥ 134.7	709711	711180	711191	Ø 155.0	≥ 134.5	711194	709712
DN150	168.3 x 2.6	Ø 183.0	≥ 163.3	708696	711181	711192	Ø 183.0	≥ 163.1	711195	709713
DN200	219.1 x 2.6	Ø 233.5	≥ 214.1	711177	711182	711193	Ø 233.5	≥ 213.9	709573	711197

ASME BPE	Abmessung dimension	A	B	EPDM	FKM	VMQ	A	B	PTFE	FKM/PTFE **
DN ¼"	6.35 x 0.89	Ø 21.8	≥ 4.8	711201	711203	711206	Ø 21.8	≥ 4.6	711210	713546
DN ⅜"	9.53 x 0.89	Ø 21.8	≥ 8.0	711202	711204	711207	Ø 21.8	≥ 7.8	711211	712824
DN ½"	12.7 x 1.65	Ø 21.8	≥ 9.6	702441	709565	705685	Ø 21.8	≥ 9.4	702442	705477
DN ¾"	19.05 x 1.65	Ø 21.8	≥ 16.0	702443	709566	705686	Ø 21.8	≥ 15.8	702444	705478
DN 1"	25.4 x 1.65	Ø 50.5	≥ 22.3	702445	709567	709450	Ø 50.5	≥ 22.1	702446	704610
DN 1½"	38.1 x 1.65	Ø 50.5	≥ 35.0	702447	709568	703832	Ø 50.5	≥ 34.8	702448	704611
DN 2"	50.8 x 1.65	Ø 64.0	≥ 47.7	702449	707952	711208	Ø 64.0	≥ 47.5	702450	704612
DN 2½"	63.5 x 1.65	Ø 77.5	≥ 60.4	702451	709569	711209	Ø 77.5	≥ 60.2	702452	705479
DN 3"	76.2 x 1.65	Ø 91.0	≥ 73.1	702453	709570	705047	Ø 91.0	≥ 72.9	702454	704613
DN 4"	101.6 x 2.11	Ø 119.0	≥ 97.6	702455	709571	709462	Ø 119.0	≥ 97.4	702456	704614
DN 6"	152.4 x 2.77	Ø 167.0	≥ 147.1	708590	711205	705379	Ø 167.0	≥ 146.9	708288	709959

*) nicht in der DIN-Norm enthalten | non-standard

***) ummantelt | enveloped

Blinddichtungen, Siebe, etc. sind ebenfalls verfügbar
orifice plates, screens, etc. are also available

